

**Western  
Wood  
Products  
Association**

# Standard Patterns



# STANDARD PATTERNS

## CONTENTS

<b>Paneling</b> .....	<b>4</b>
<b>Paneling and Siding</b> .....	<b>6</b>
<b>Siding</b> .....	<b>7</b>
<b>Ceiling</b> .....	<b>12</b>
<b>Ceiling and Partition</b> .....	<b>13</b>
<b>Partition</b> .....	<b>14</b>
<b>Shiplap</b> .....	<b>15</b>
<b>Tongued &amp; Grooved</b> .....	<b>16</b>
<b>Decking</b> .....	<b>16</b>
<b>Decking and Flooring</b> .....	<b>20</b>
<b>Flooring</b> .....	<b>21</b>
<b>Corn Cribbing</b> .....	<b>22</b>
<b>Grooved Roofing</b> .....	<b>22</b>
<b>Patent Lath</b> .....	<b>22</b>
<b>Stile</b> .....	<b>22</b>
<b>Sill</b> .....	<b>22</b>
<b>Jamb</b> .....	<b>22</b>
<b>Ogee Batten</b> .....	<b>23</b>
<b>Casket Stock</b> .....	<b>23</b>
<b>Beaded Shelving</b> .....	<b>23</b>
<b>Unseasoned Tongued &amp; Grooved</b> .....	<b>24</b>
<b>Unseasoned Shiplap</b> .....	<b>24</b>
<b>Coverage Estimator</b> .....	<b>27</b>
<b>Siding Specification Checklist</b> .....	<b>27</b>
<b>Grade Selector Chart</b> .....	<b>back cover</b>

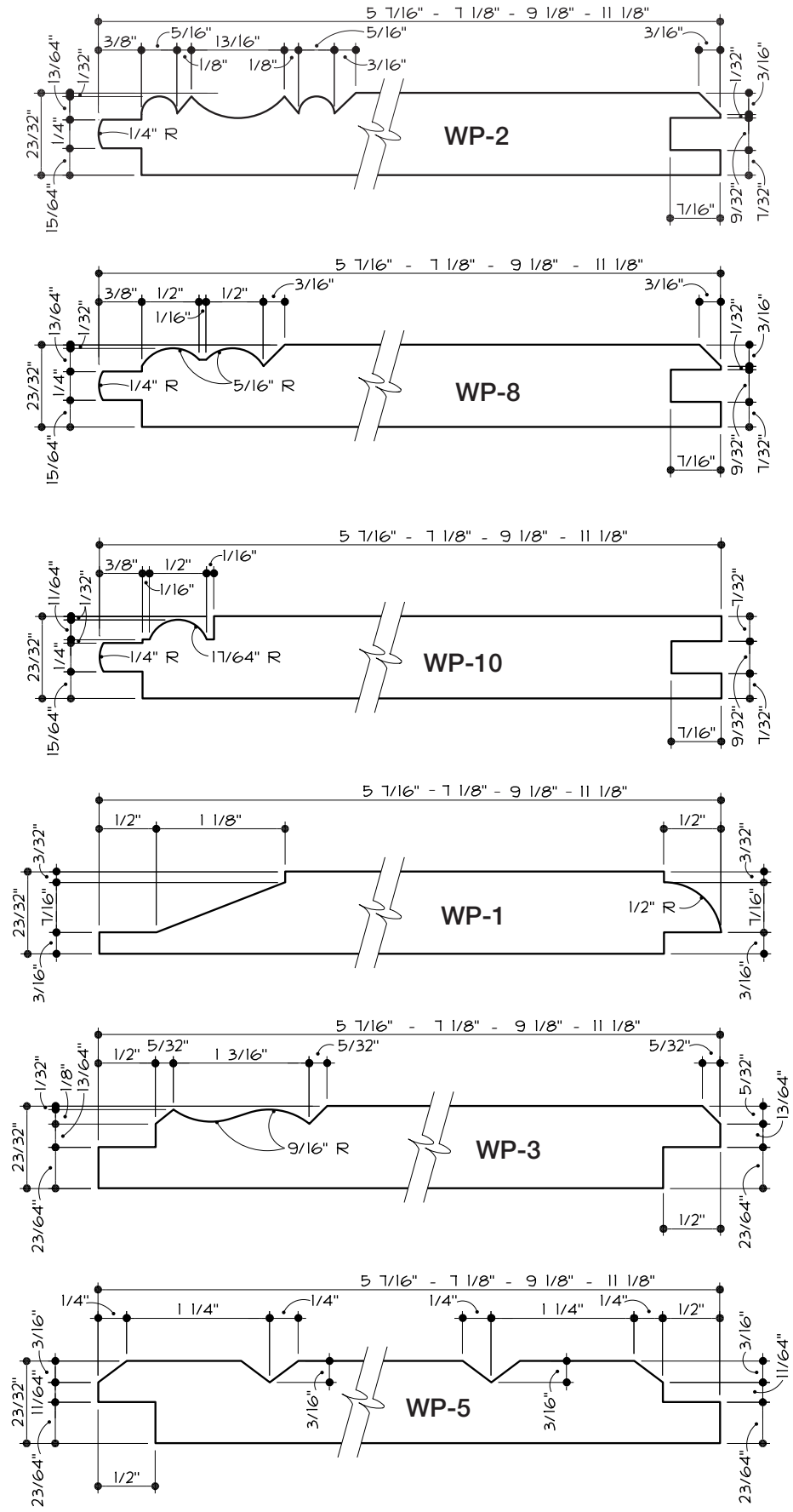
All patterns depicted in this publication are drawn to scale and printed at 70% actual size.

## STANDARD PATTERNS LUMBER ABBREVIATIONS

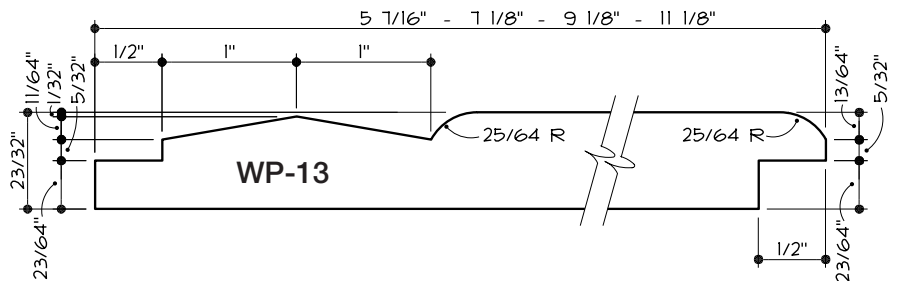
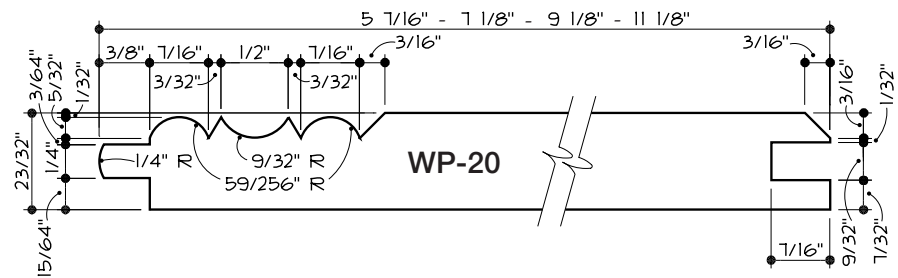
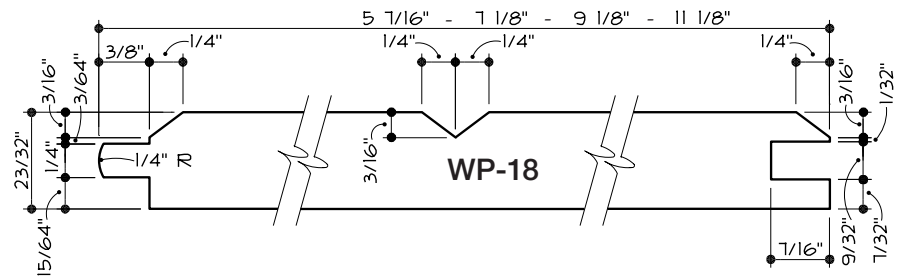
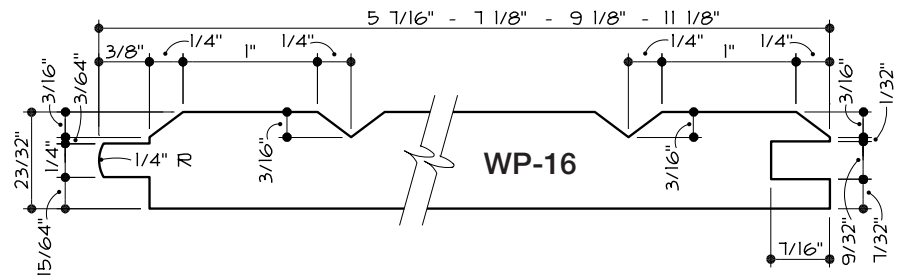
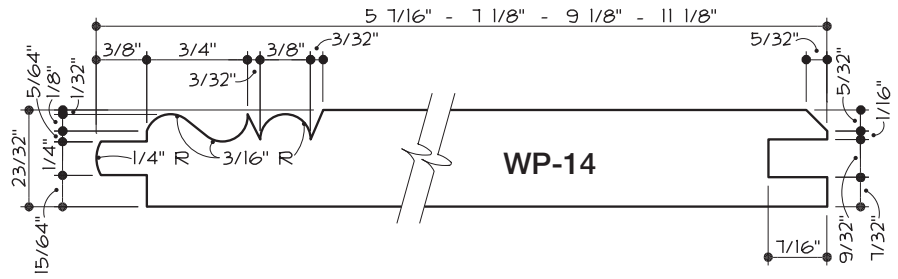
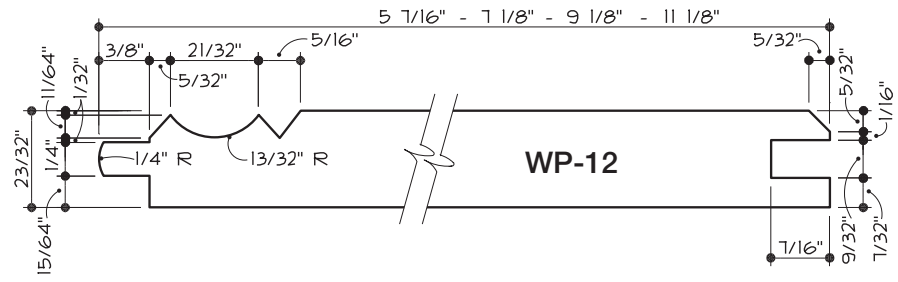
BEV	Beveled
BEV SDG	Beveled siding
BS	Both sides
CB	Center Beaded
CB1S	Center bead one side
CB2S	Center bead two sides
CG	Center groove
CG2E	Center groove two edges
CLG	Ceiling
CM	Center matched
CS	Caulking seam
CSG	Casing
CV	Center Vee
CV1S	Center vee one side
CV2S	Center vee two sides
D2S	Dressed two sides
D4S	Dressed four sides
DB CLG	Double-beaded ceiling
DB PART	Double-beaded partition
DBL T&G	Double tongued & grooved
D&CM	Dressed & center matched
DKG	Decking
D/S,DS	Drop Siding
D S/L	Double shiplap
DVJM	Double vee-jointed matching
D&M	Dressed & matched
E	Edge
EB1S	Edge bead one side
EB2S	Edge bead two sides
E&CB2S	Edge & center bead two sides
EV1S	Edge vee one side
EV2S	Edge vee two sides
E&CV1S	Edge & center vee one side
E&CV2S	Edge & center vee two sides
EE	Eased Edges
EG	Edge (vertical) grain
EM	End matched
EV	Edge vee
FE	Feathered edge
FG	Flat (slash) grain
FLG	Flooring
F&G	Feathered & grooved
G1E	Grooved one edge
HB	Hollow back
MG	Mixed Grain
N	Nosed

N1E	Nosed one edge
N2E	Nosed two edges
OS	One side
PAT	Pattern
P1E	Planed one edge
P2E	Planed two edges
P1S	Planed one side
P2S	Planed two sides
P4S	Planed four sides
P1S1E	Planed one side one edge
P2S1E	Planed two sides one edge
P1S2E	Planed one side two edges
PAR	Planed all 'round
PART	Partition
PE	Planed edge
PPE	Planed plain edge
PSE	Planed square edge
PSJ	Planed & square jointed
PTG	Planed tongued & grooved
R&B	Rabbit & bead
S	Side, Surfaced
SB1S	Single bead one side
SDG	Siding
SG	Slash (flat) grain
S/L, or SL	Shiplap
SQ	Square
STPG	Stepping
S&E	Side & edge (surfaced on)
S1E	Surfaced one edge
S2E	Surfaced two edges
S1S	Surfaced one side
S4S	Surfaced four sides
S1S&CM	Surfaced one side & center matched
S2S&CM	Surfaced two sides & center matched
S4S&CS	Surfaced four sides & caulking seam
S1S1E	Surfaced one side one edge
S1S2E	Surfaced one side two edges
S2S1E	Surfaced two sides one edge
S4SEE	Surfaced four sides eased edges
T&G	Tongued & grooved
TG&B	Tongued, grooved, & beaded
TG&V	Tongued, grooved, & vee-jointed
T1E	Tongued one edge
UE	Unedged
VG	Vertical grain
VJM	Vee-joint matching

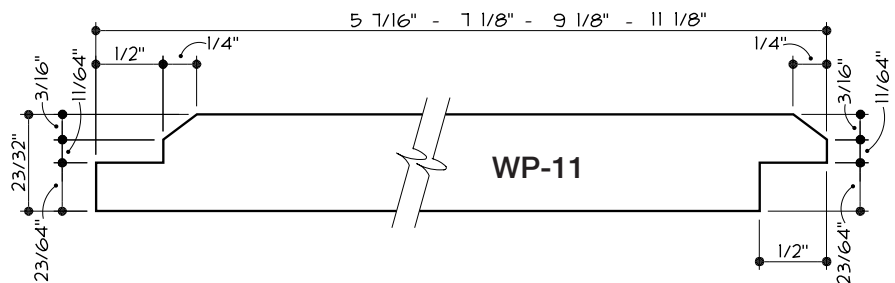
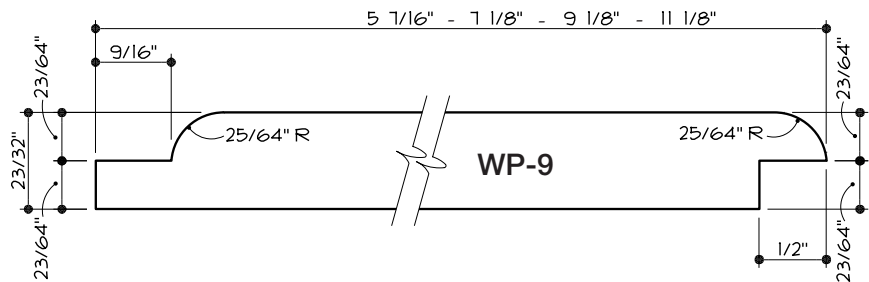
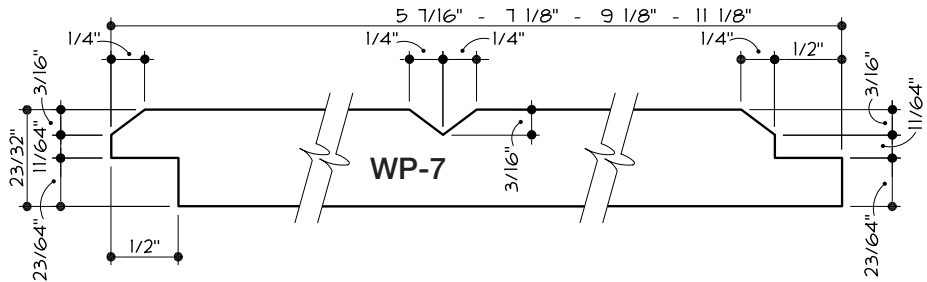
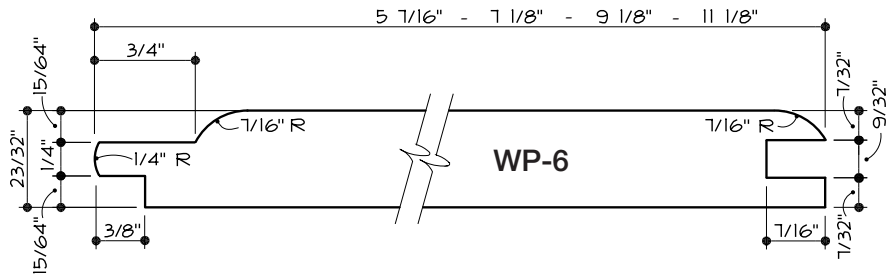
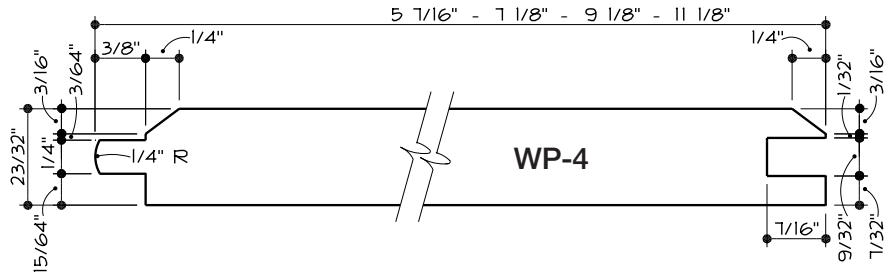
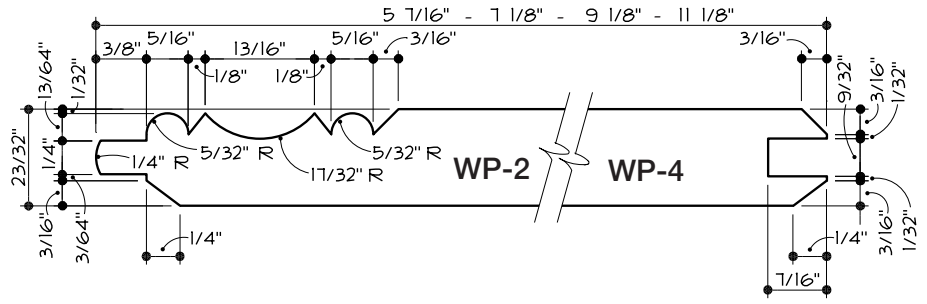
# Paneling



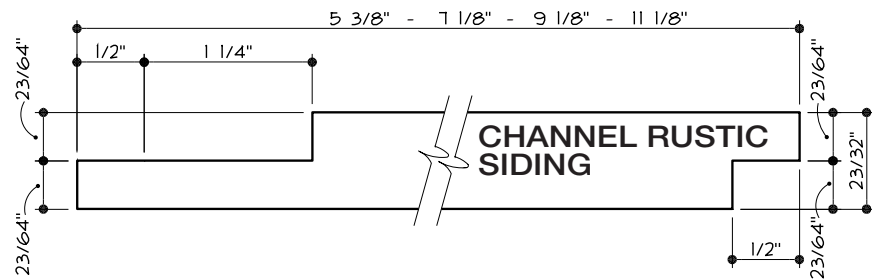
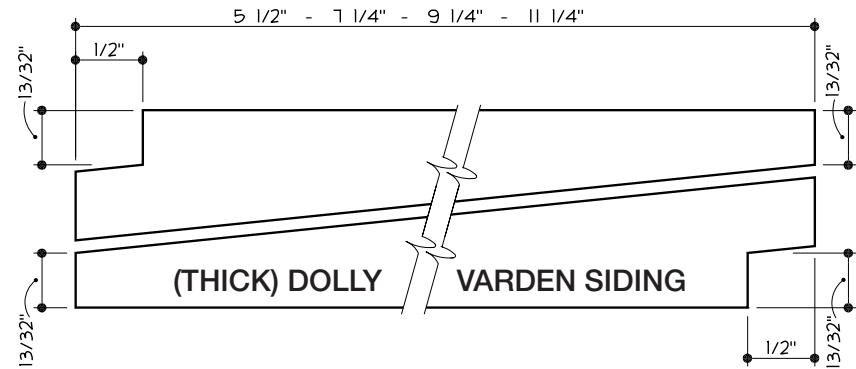
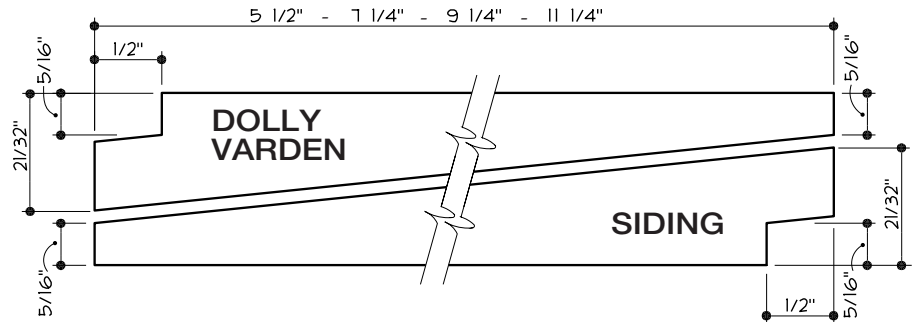
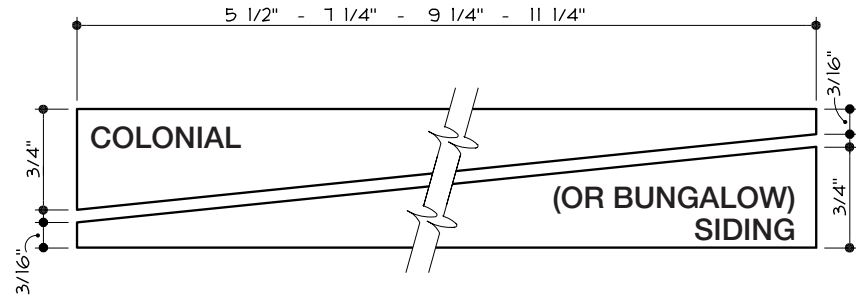
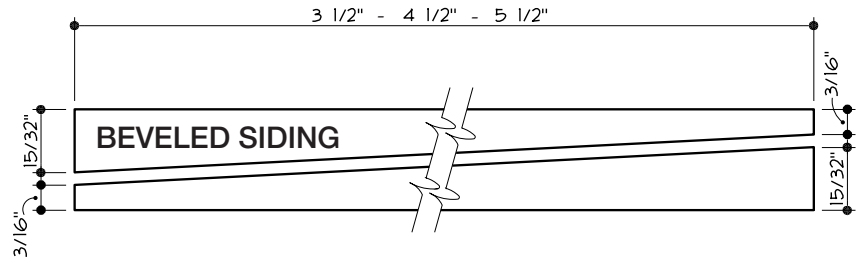
# Paneling



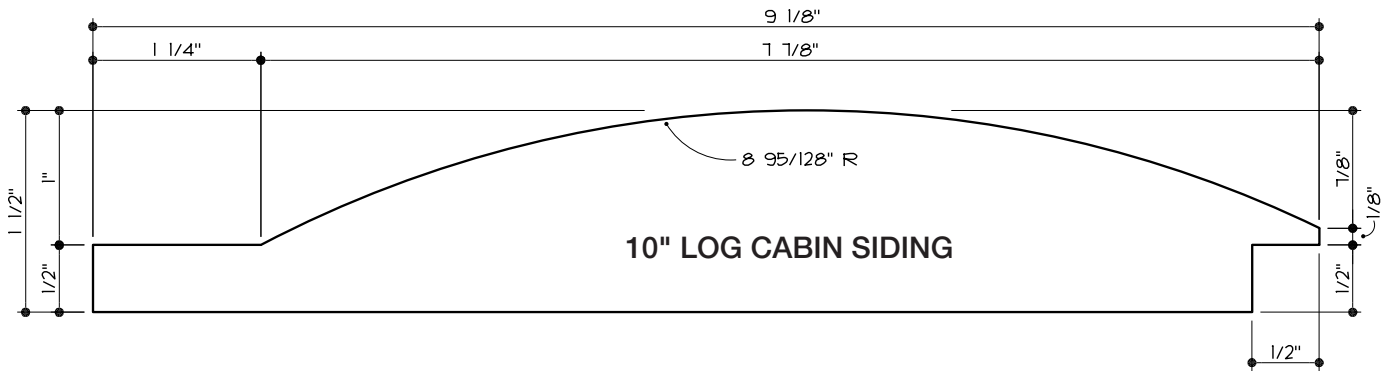
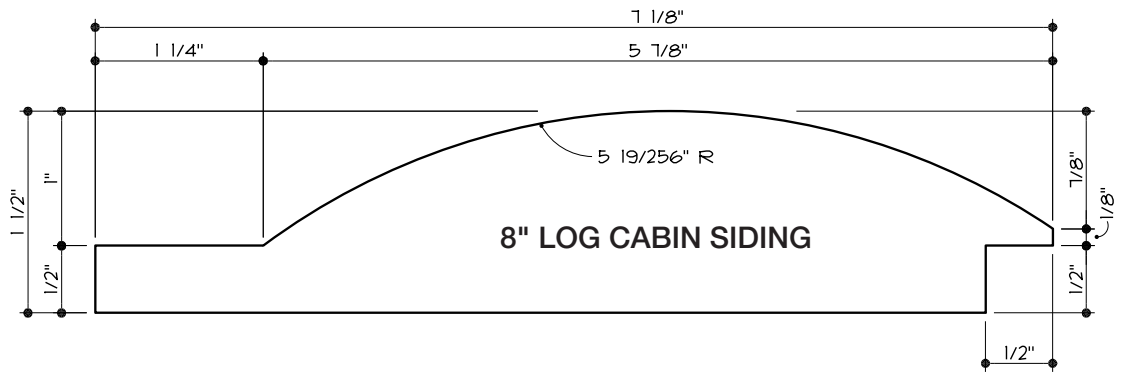
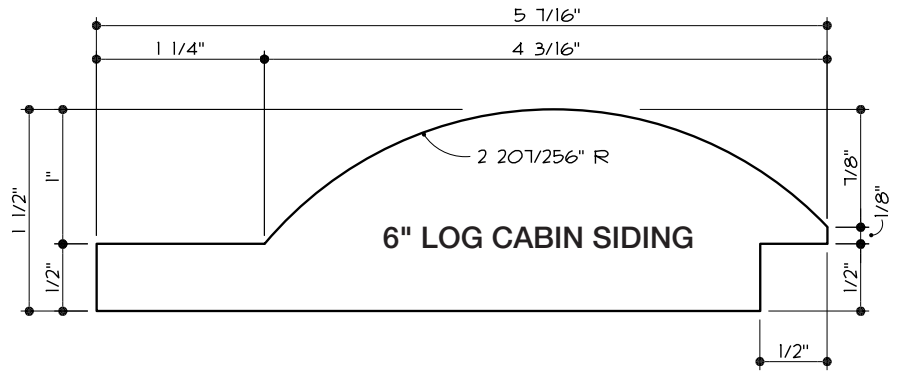
# Paneling and Siding



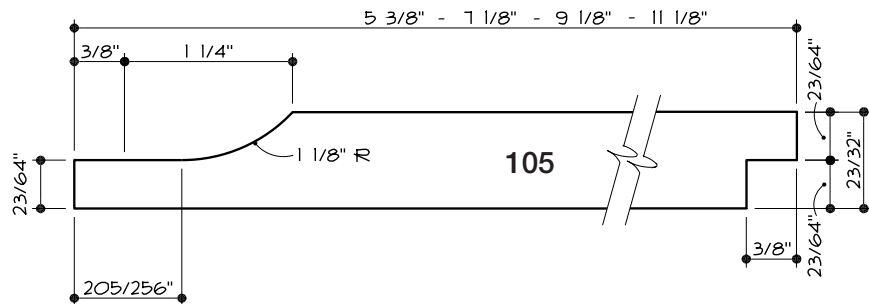
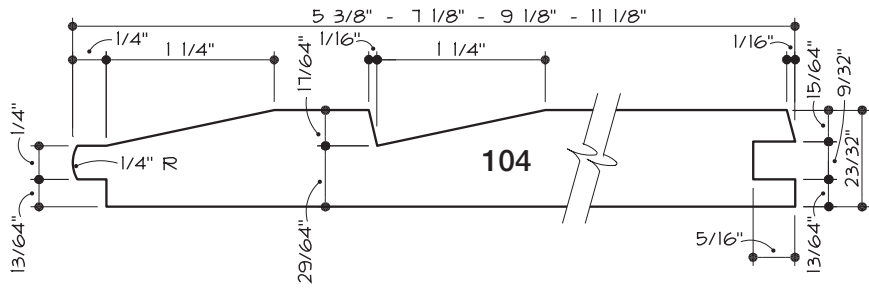
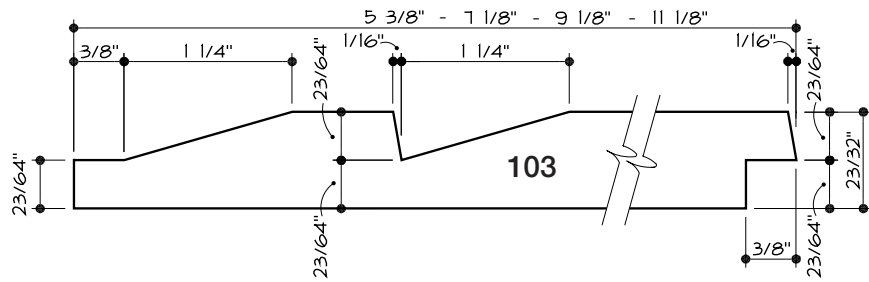
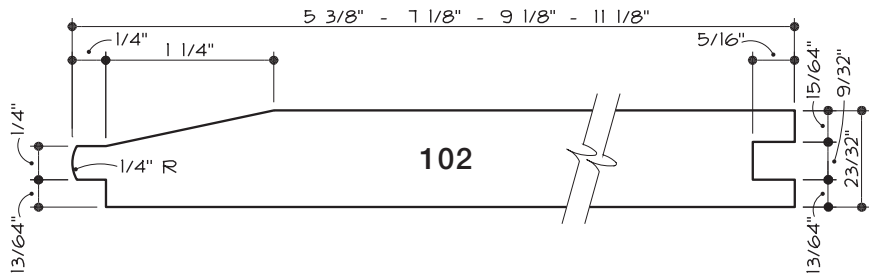
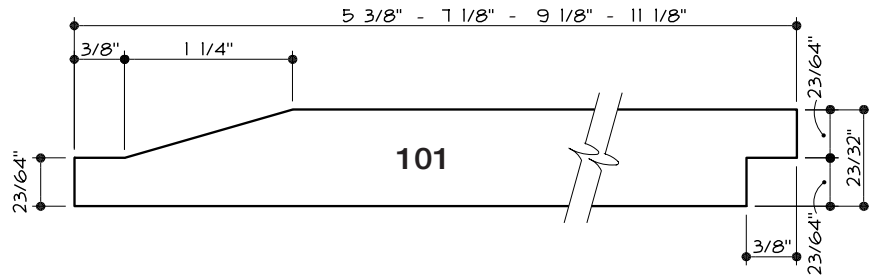
# Siding



# Siding

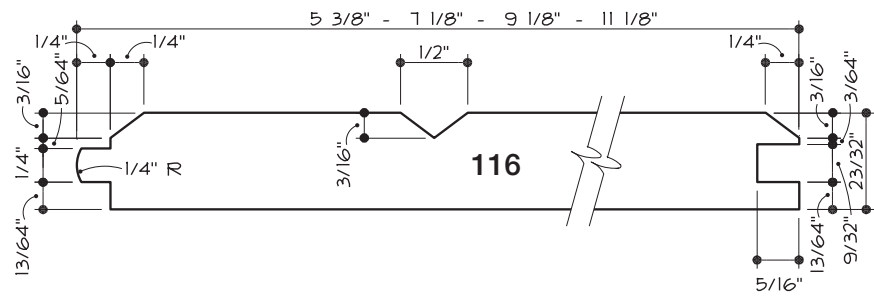
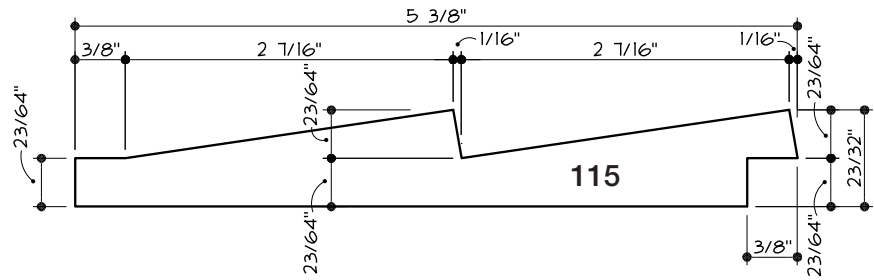
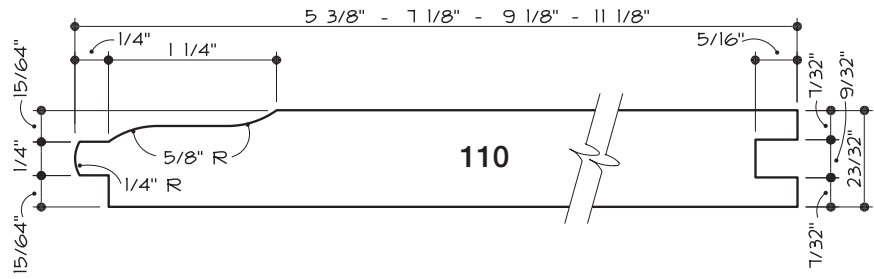
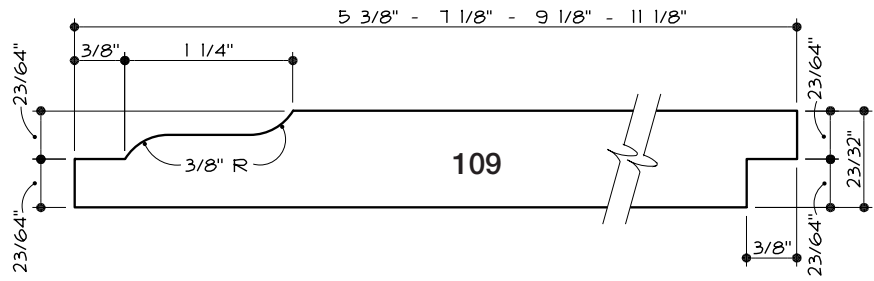
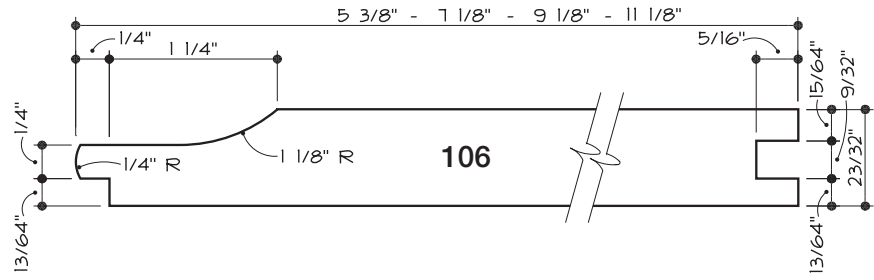


# Siding

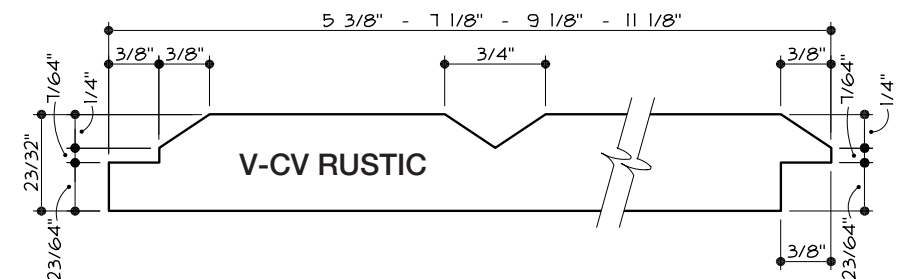
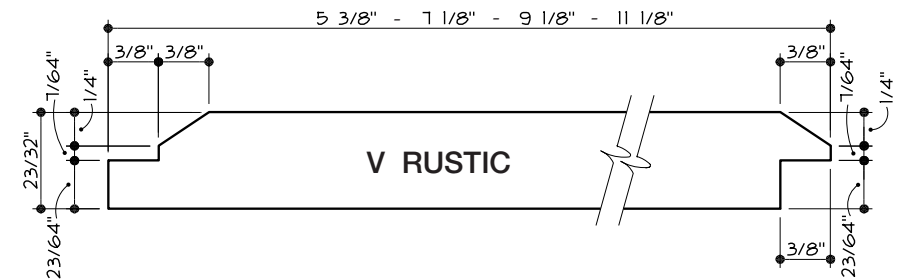
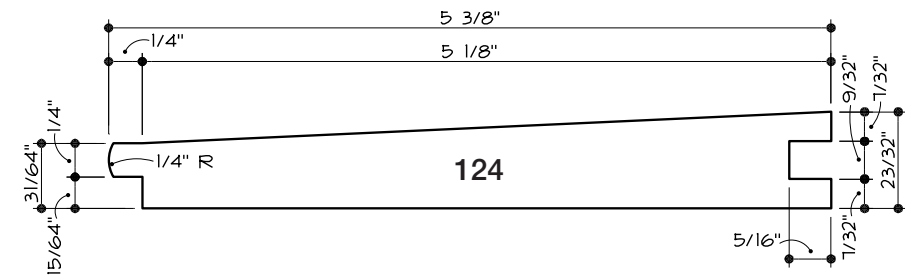
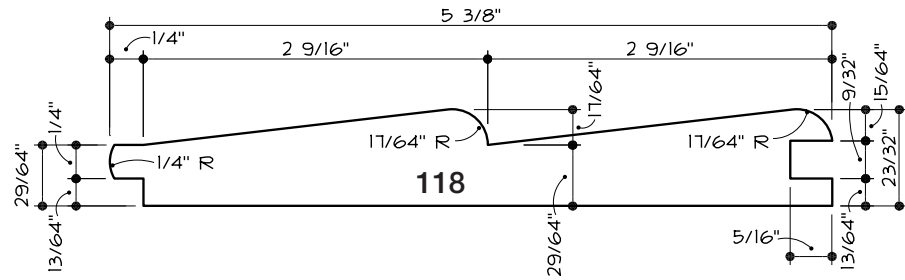
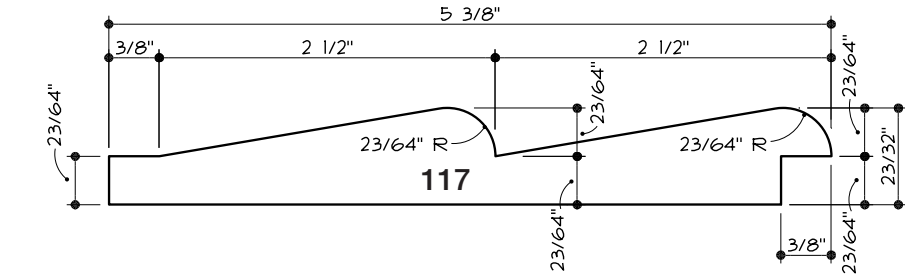




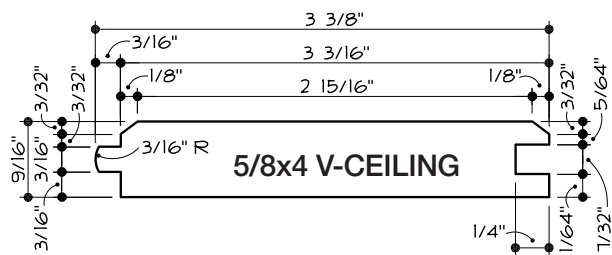
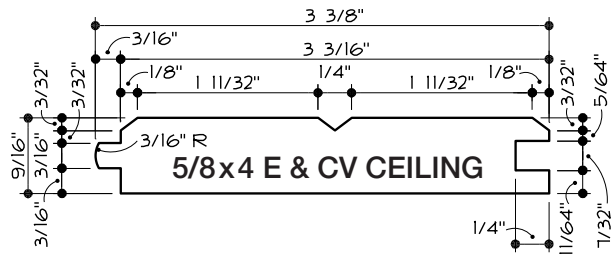
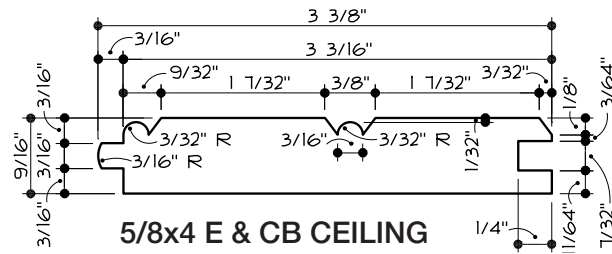
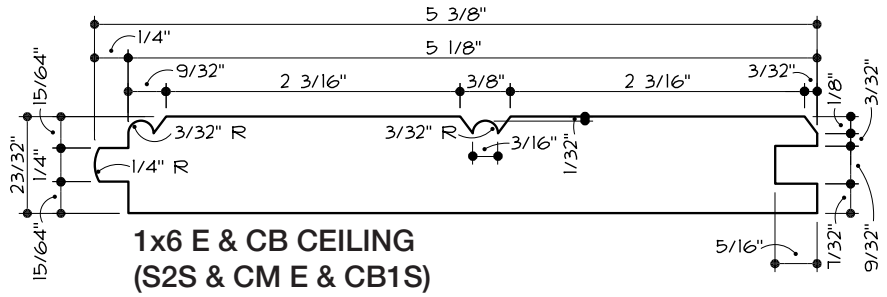
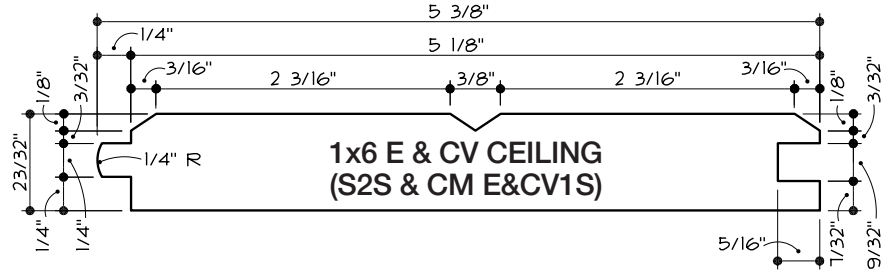
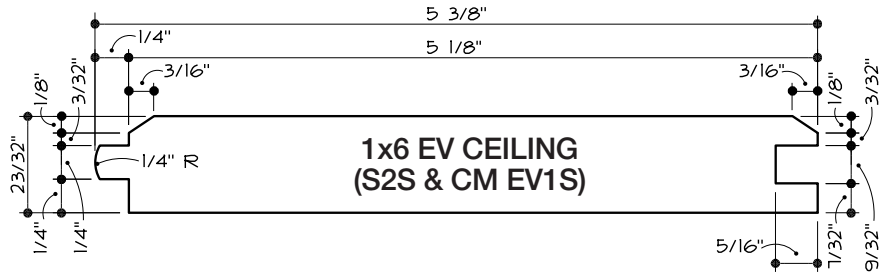
# Siding



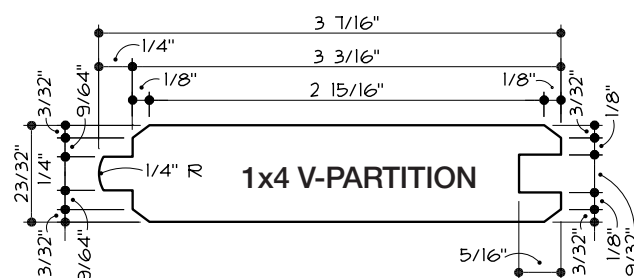
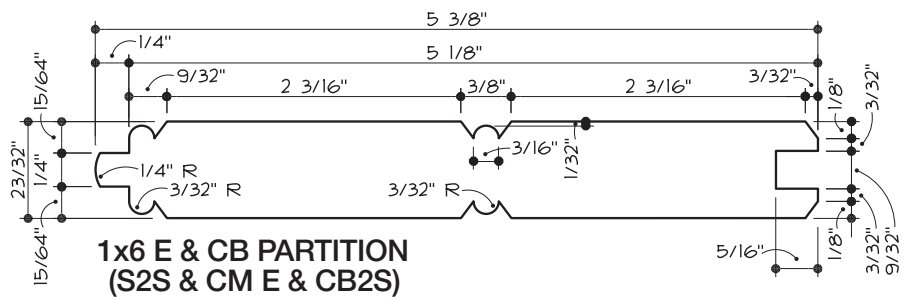
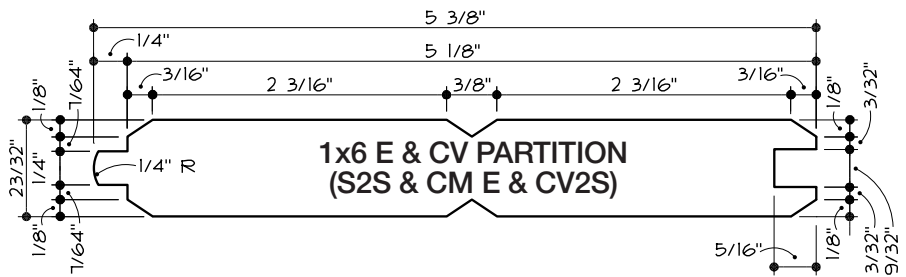
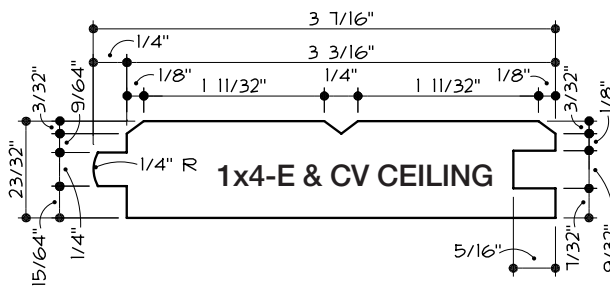
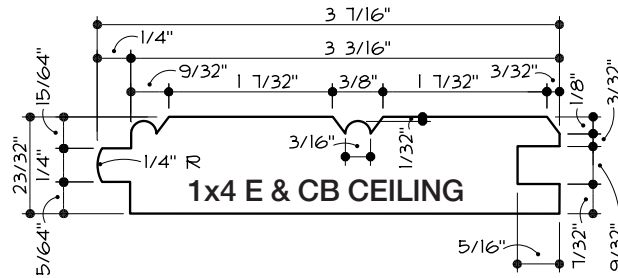
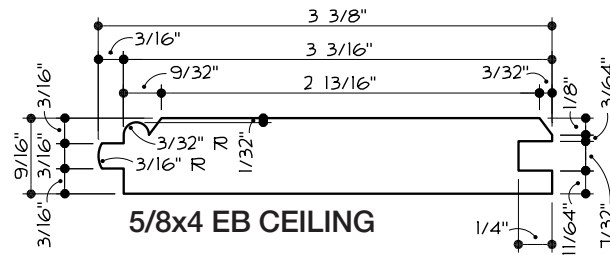
# Siding



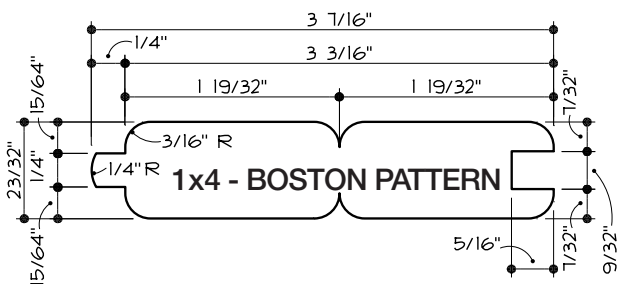
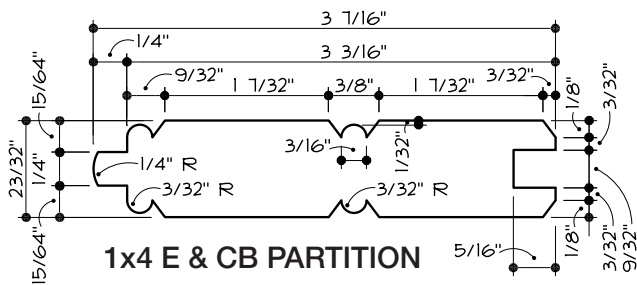
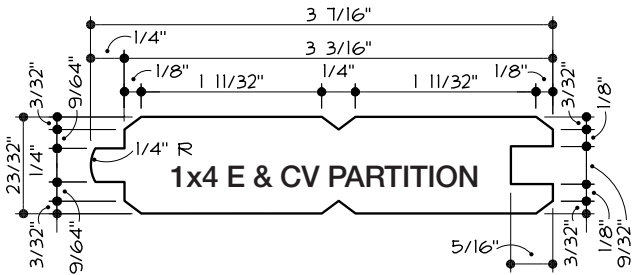
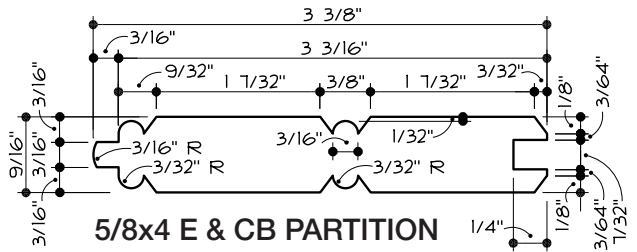
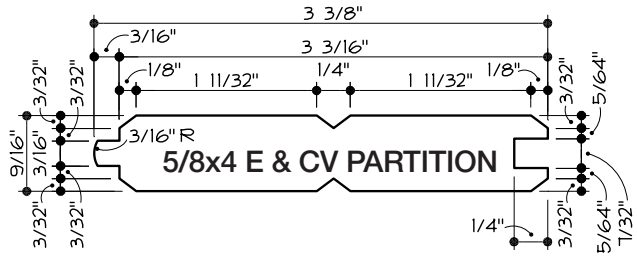
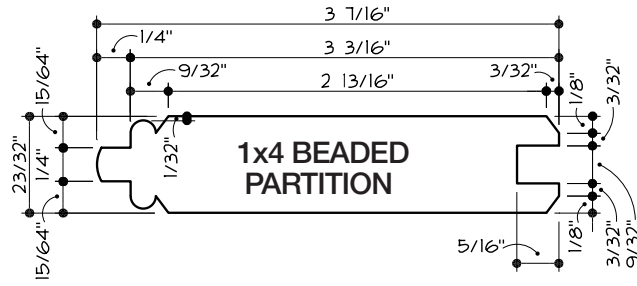
# Ceiling



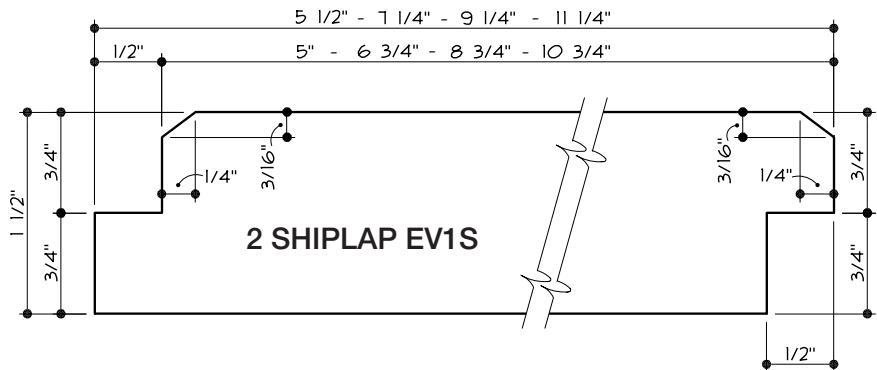
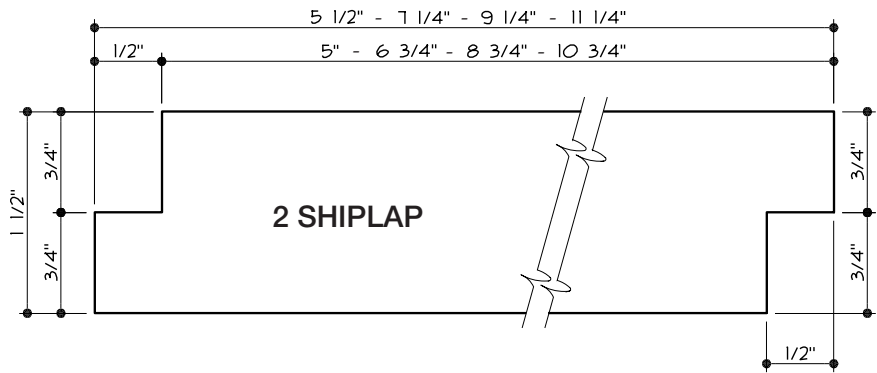
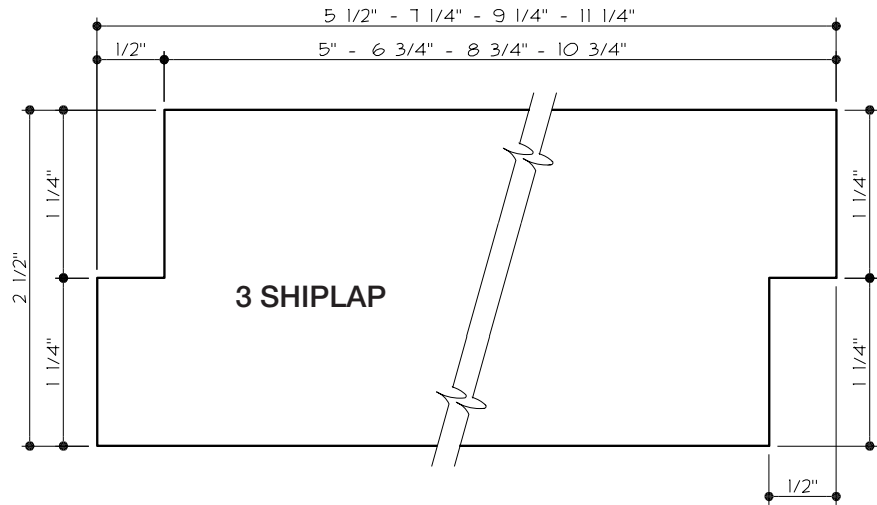
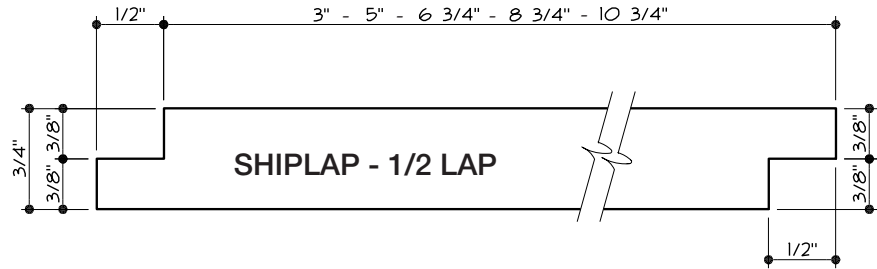
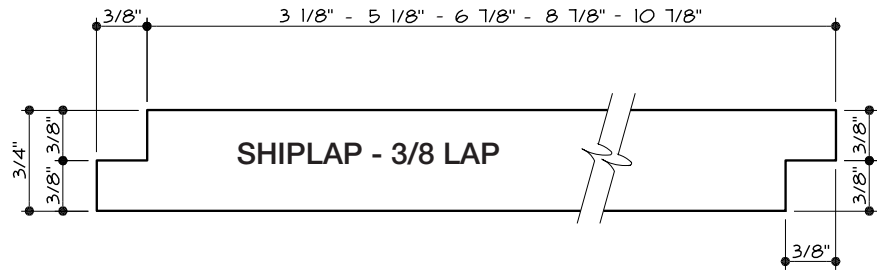
# Ceiling and Partition



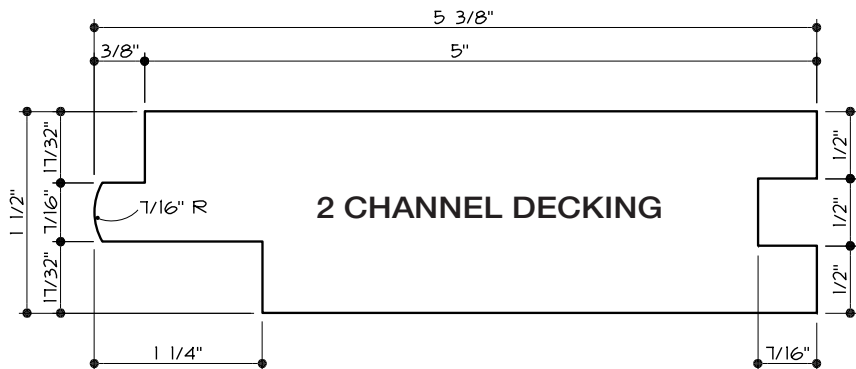
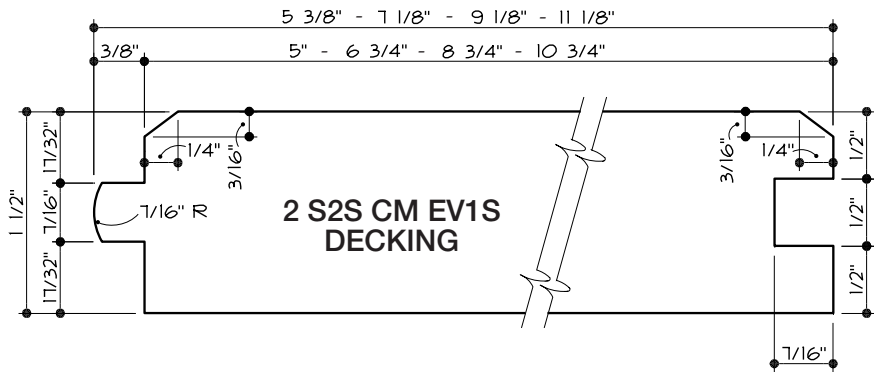
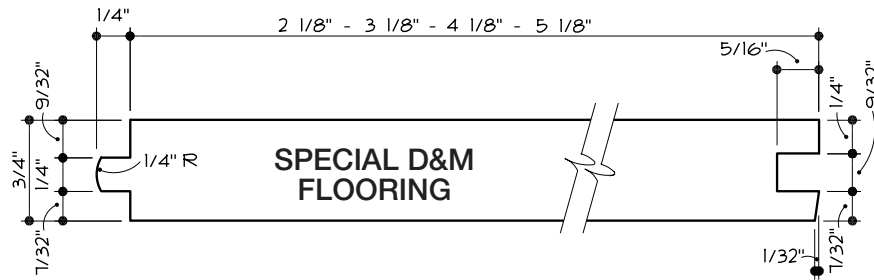
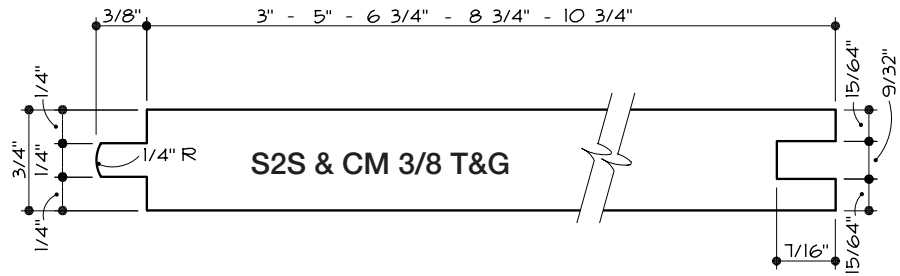
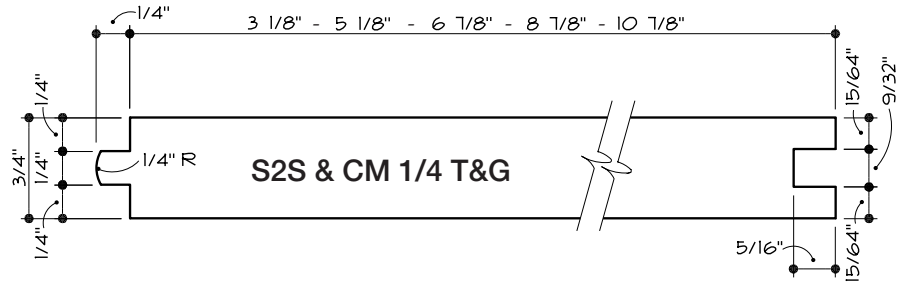
# Partition



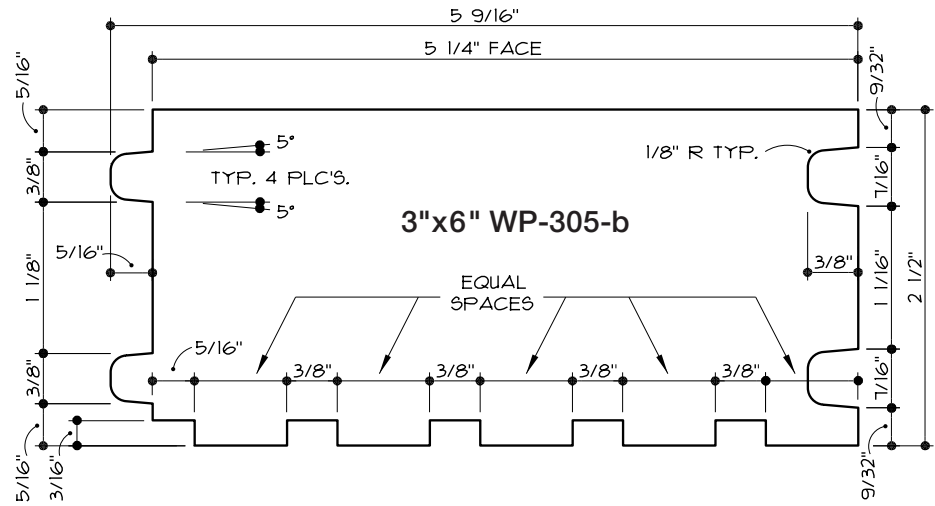
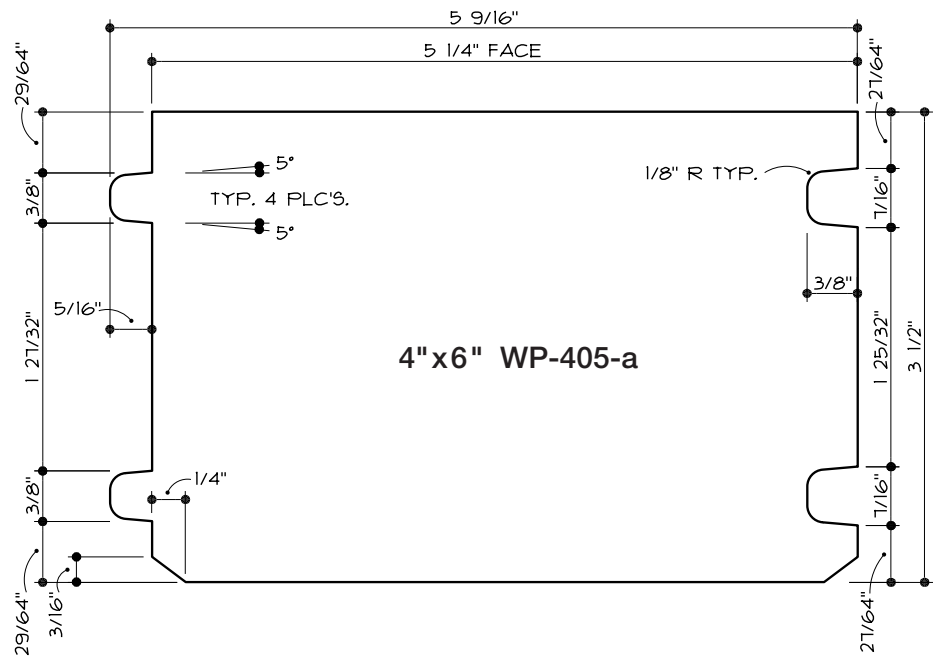
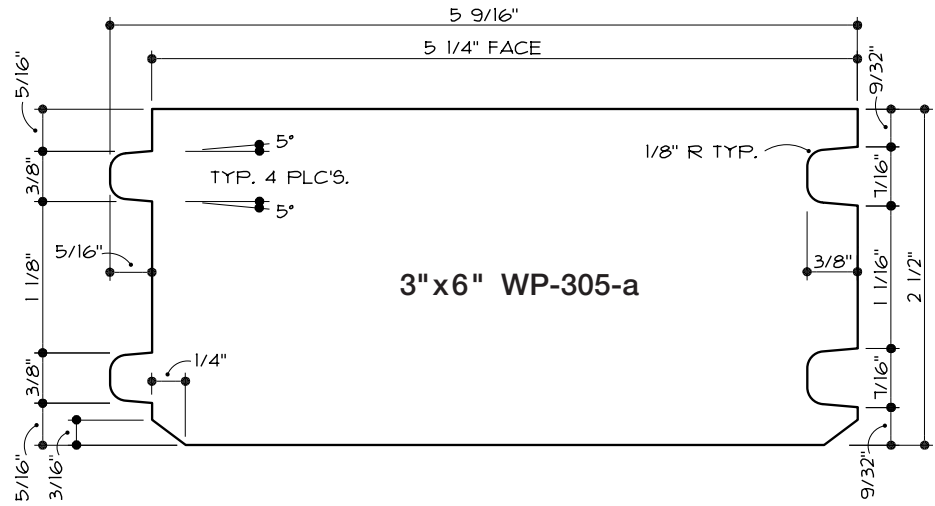
# Shiplap



# Tongued & Grooved, Decking

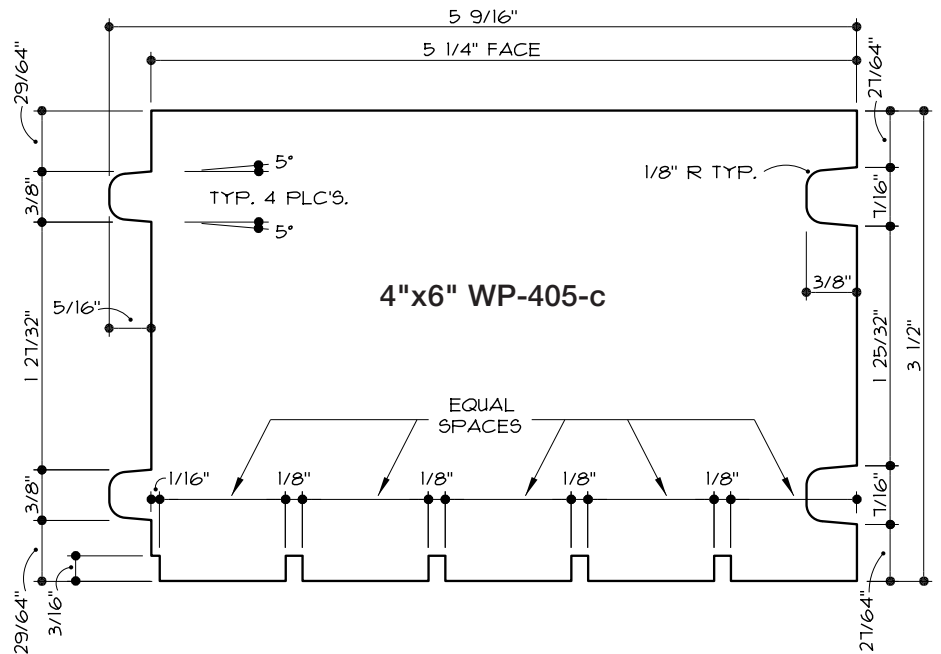
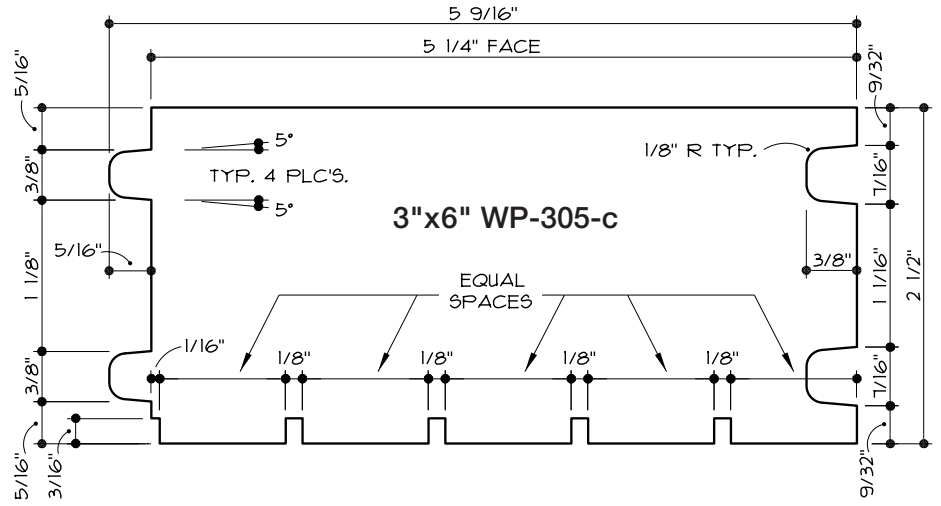
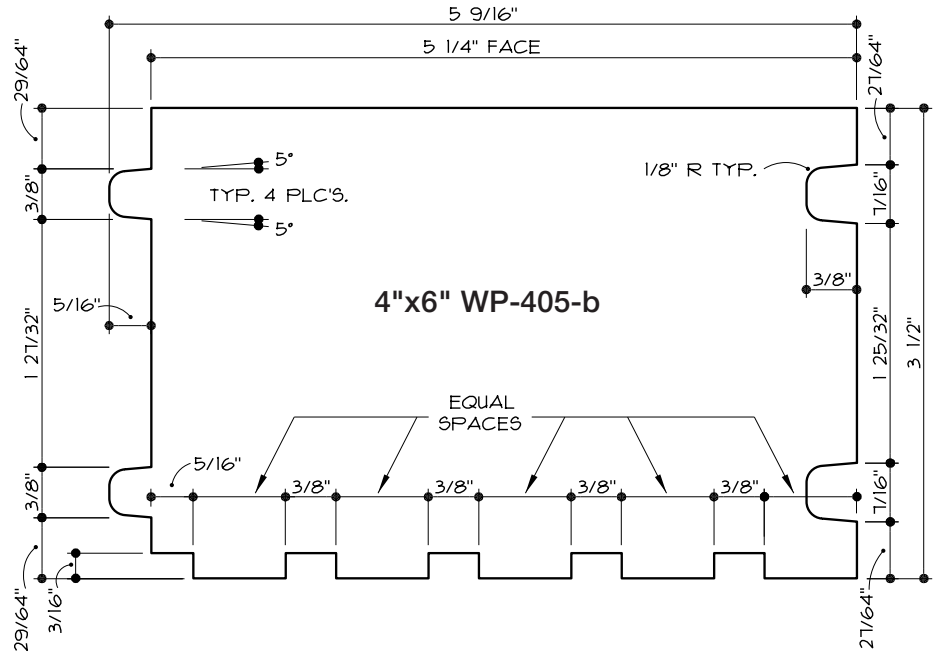


# Decking

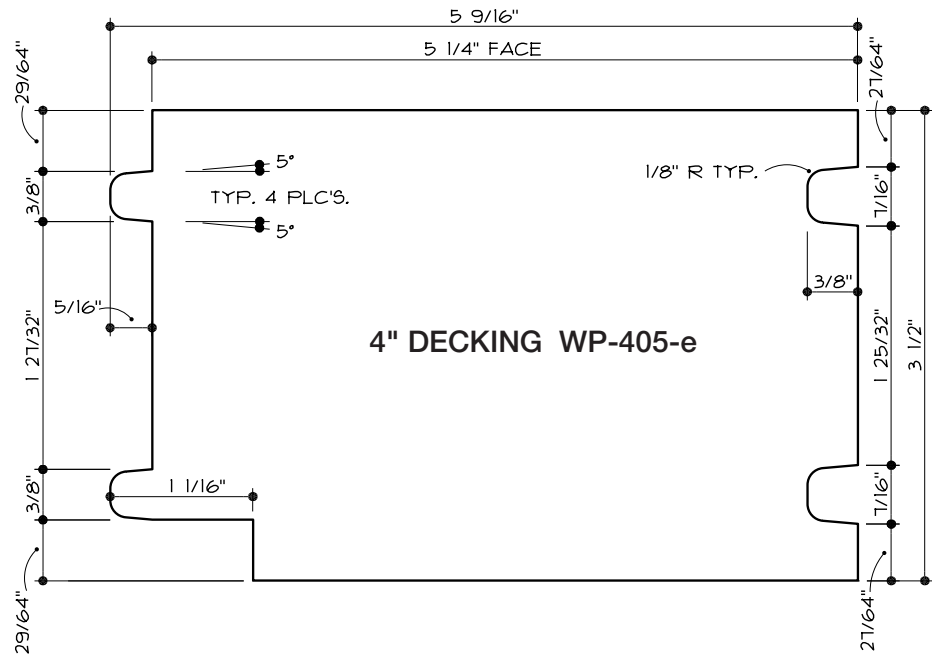
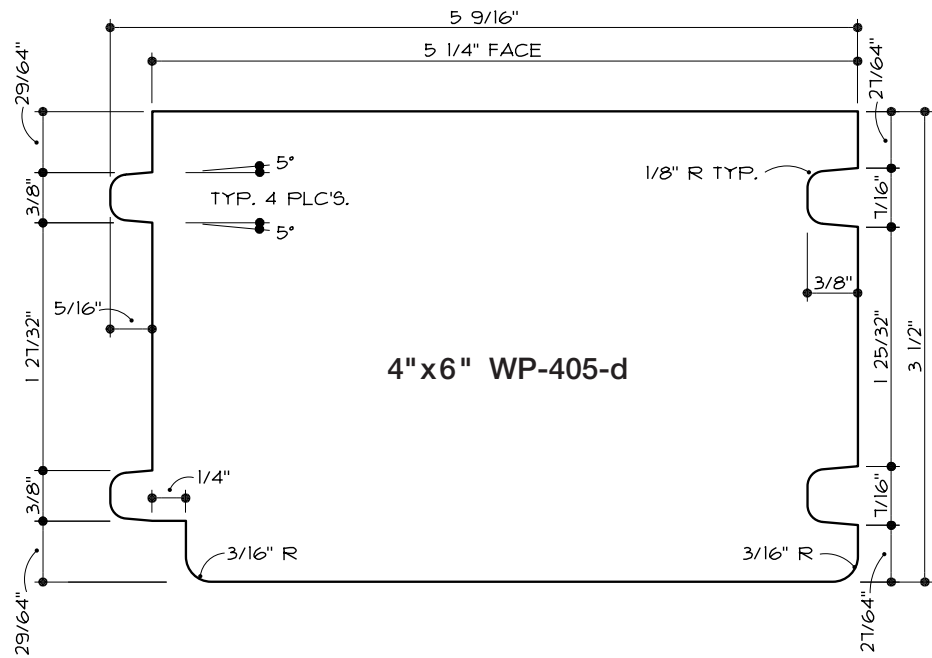
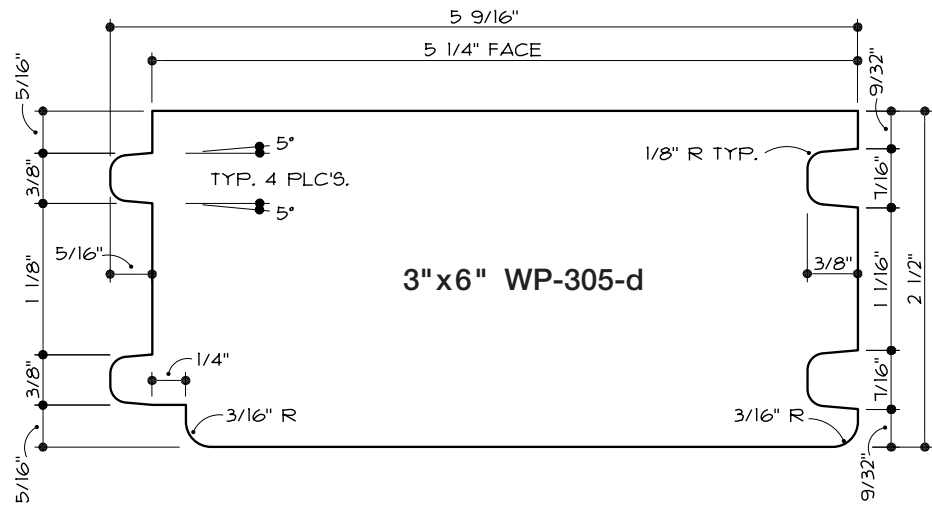




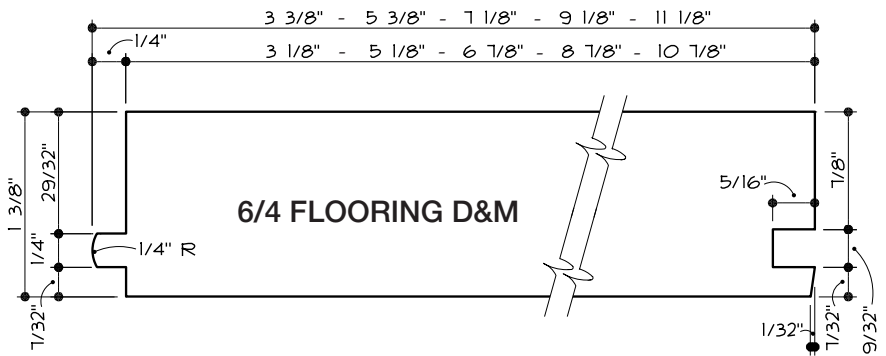
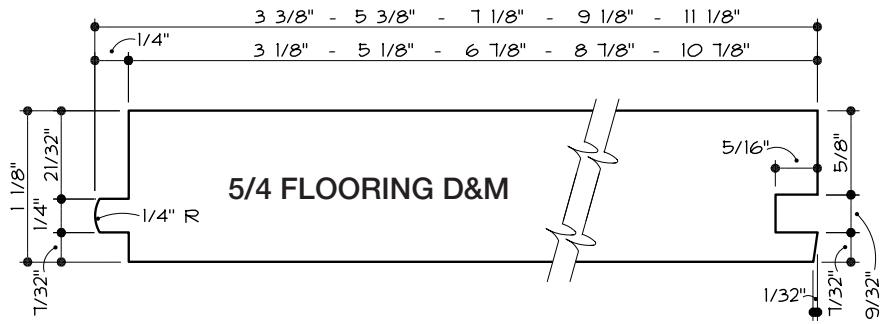
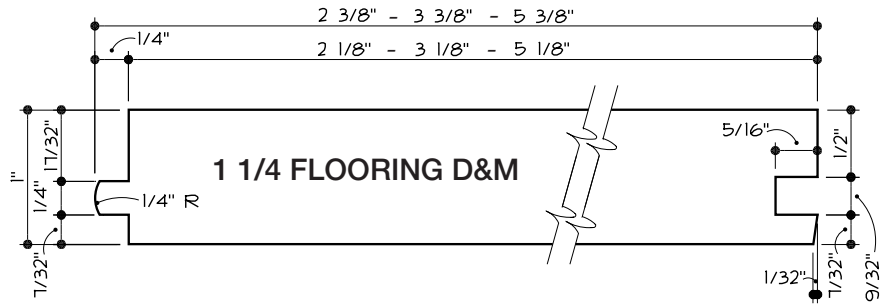
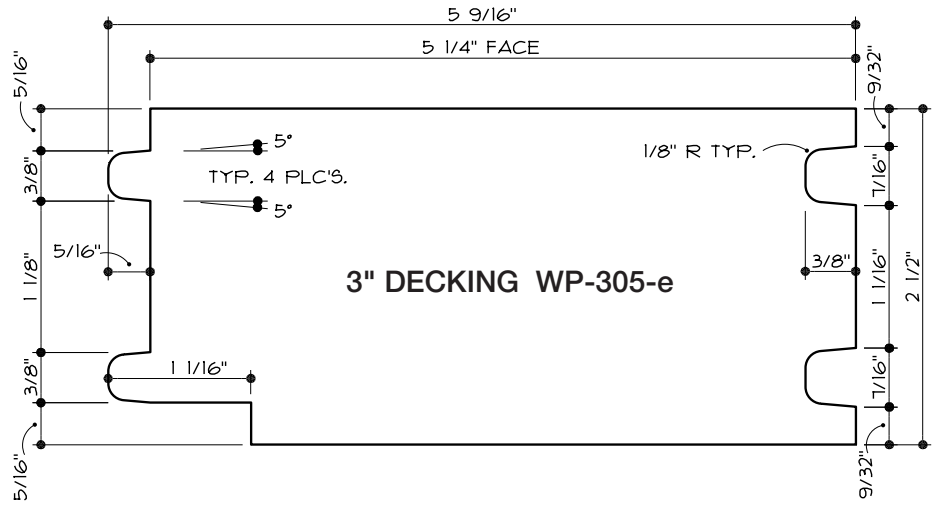
# Decking



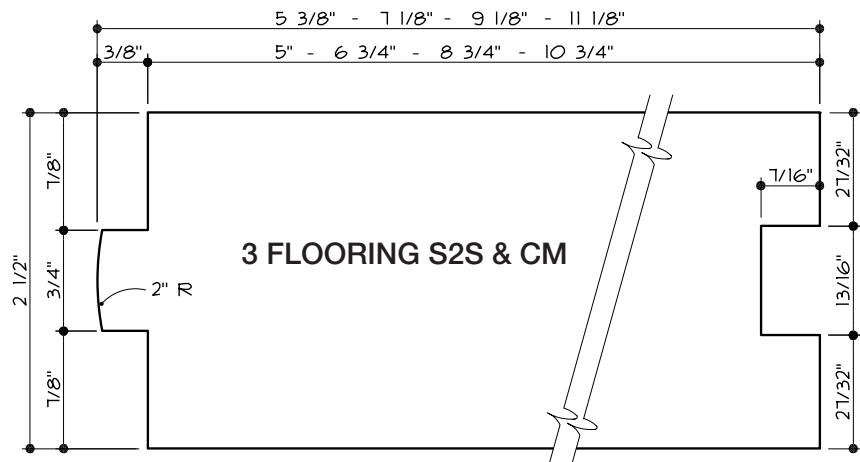
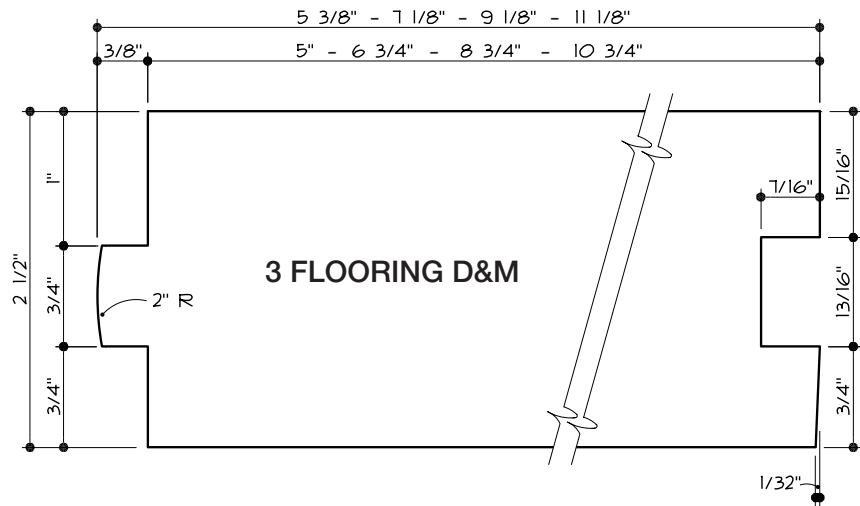
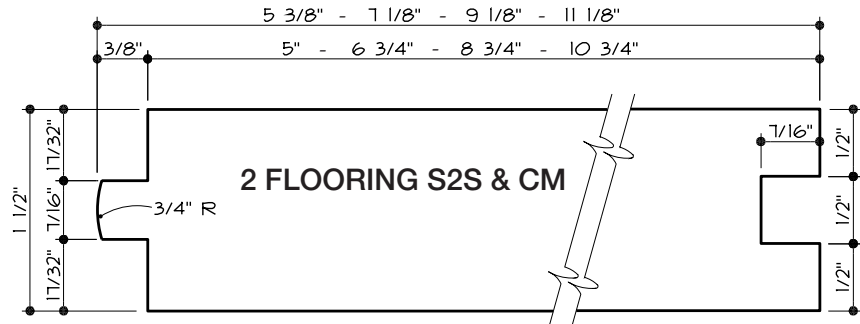
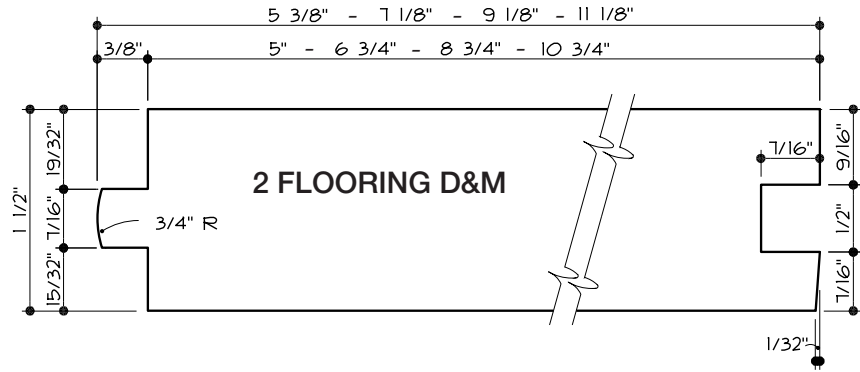
# Decking



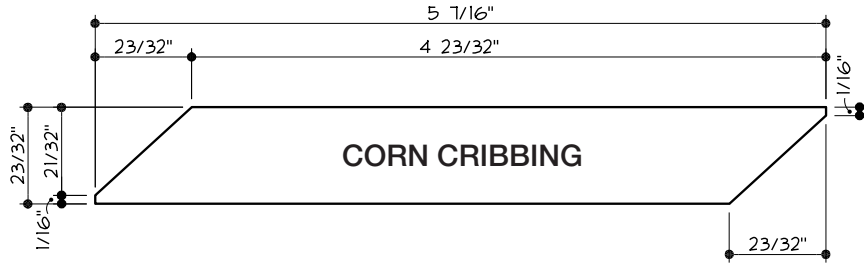
# Decking and Flooring



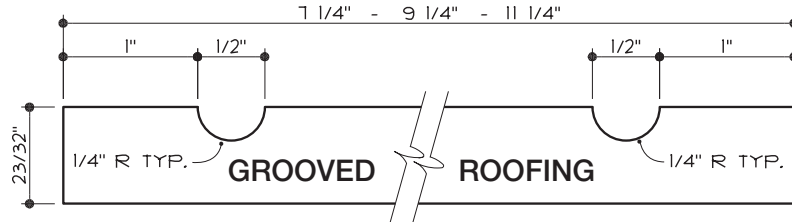
# Flooring



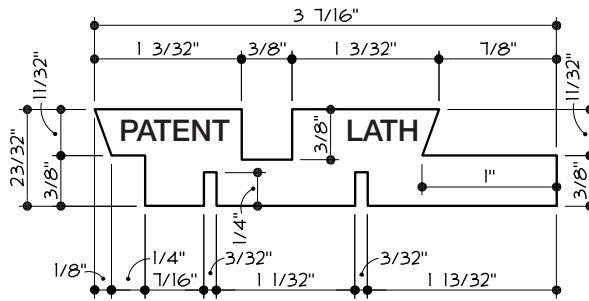
# Corn Cribbing



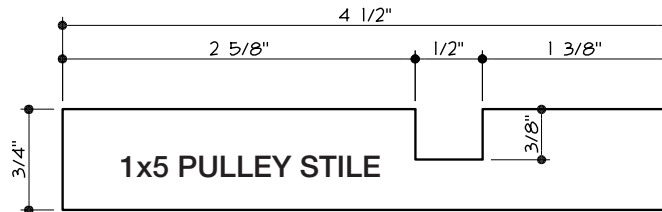
# Grooved Roofing



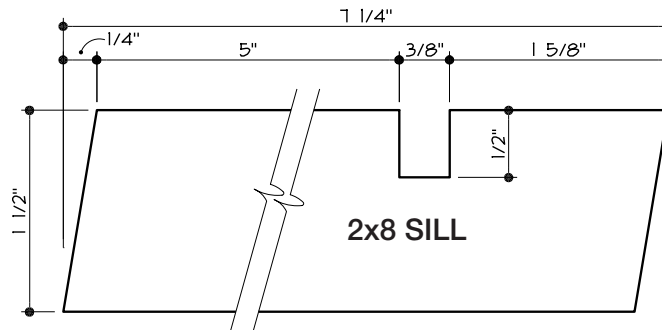
# Patent Lath



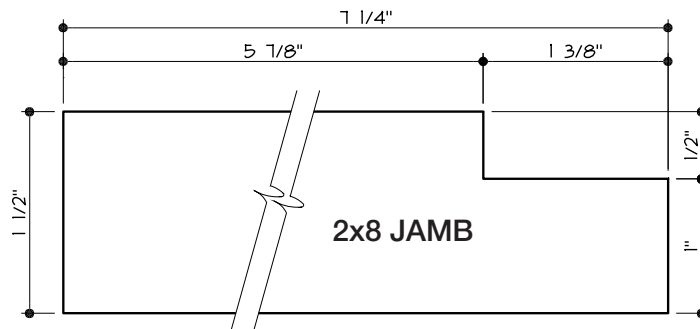
# Stile



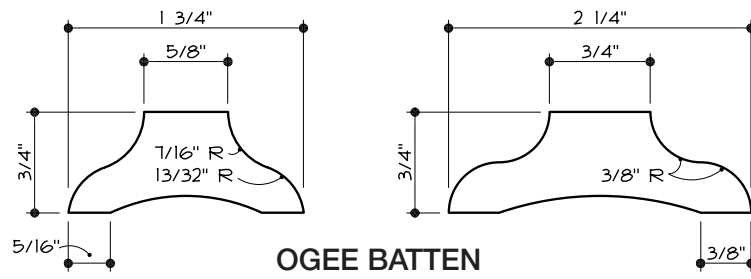
# Sill



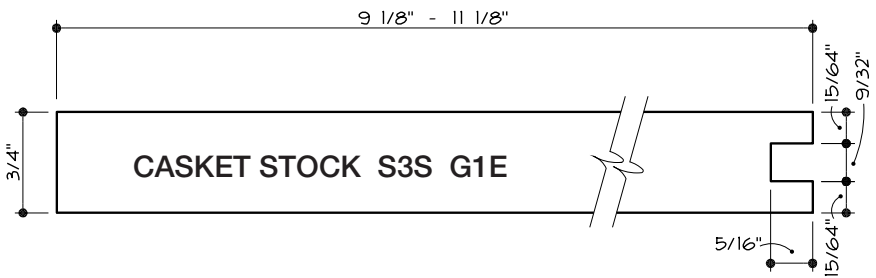
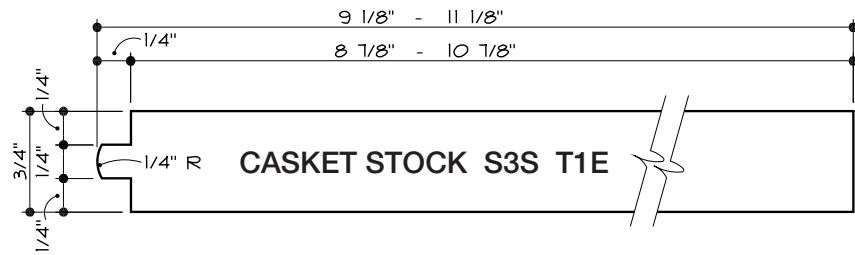
# Jamb



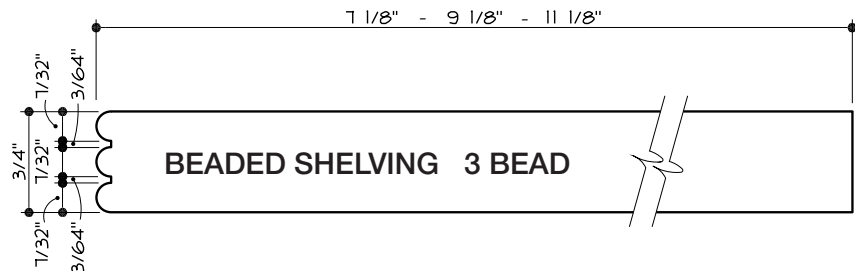
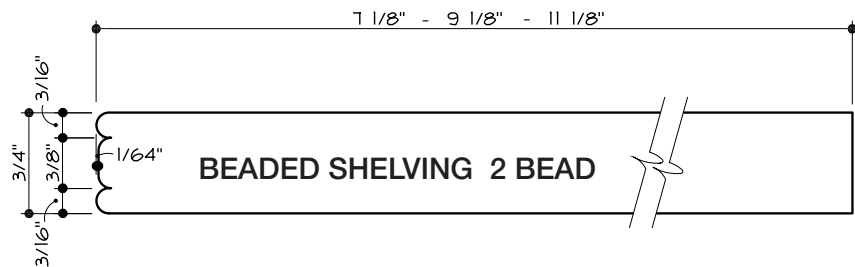
## Ogee Batten



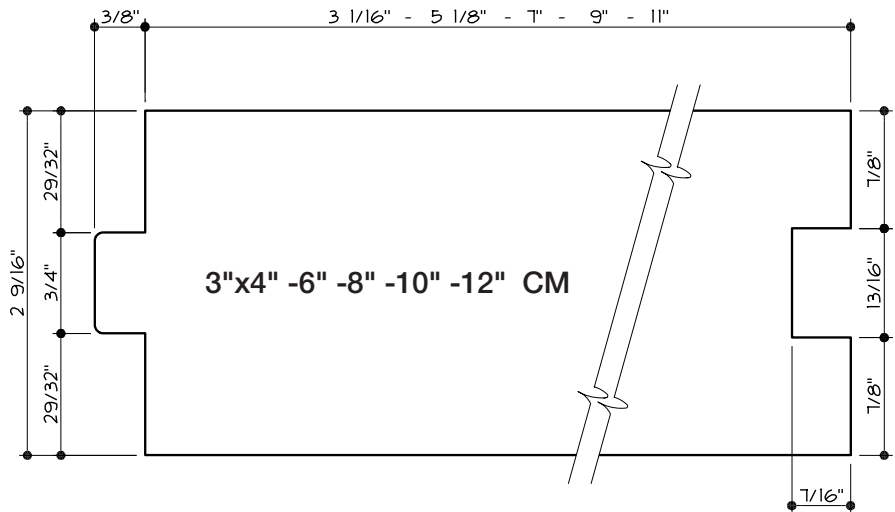
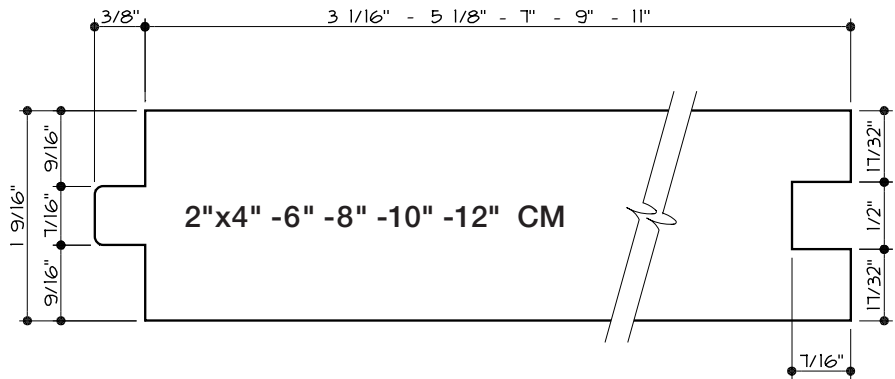
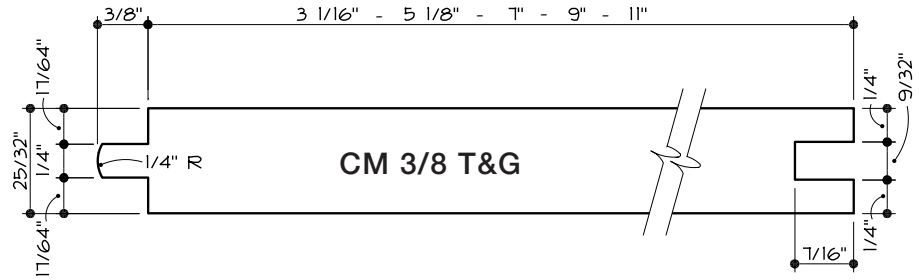
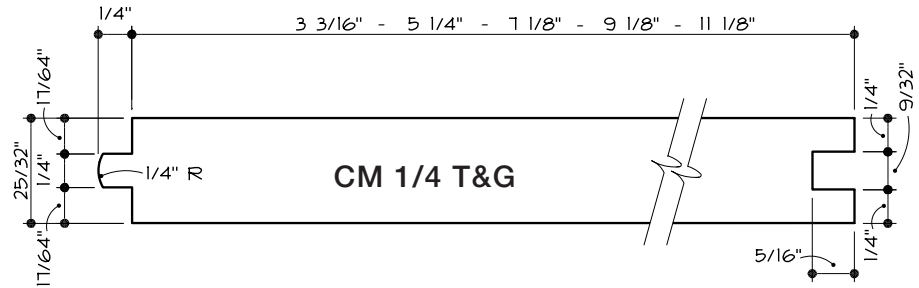
## Casket Stock



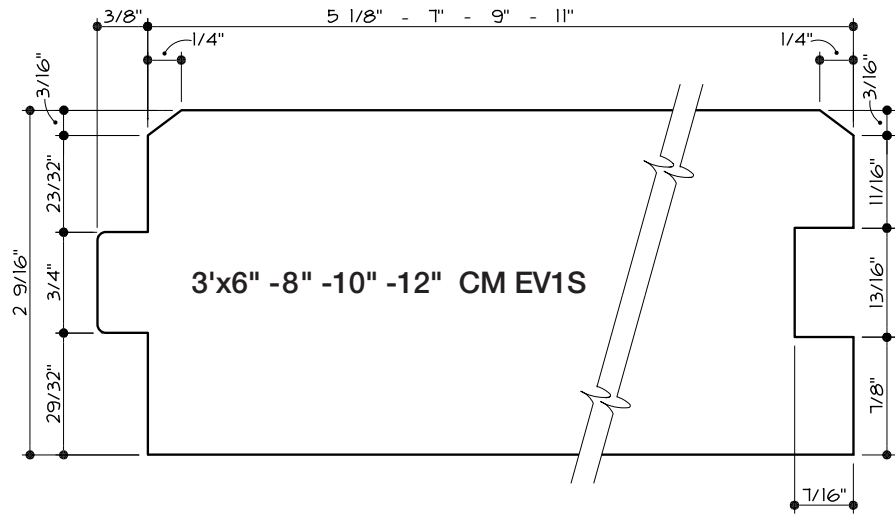
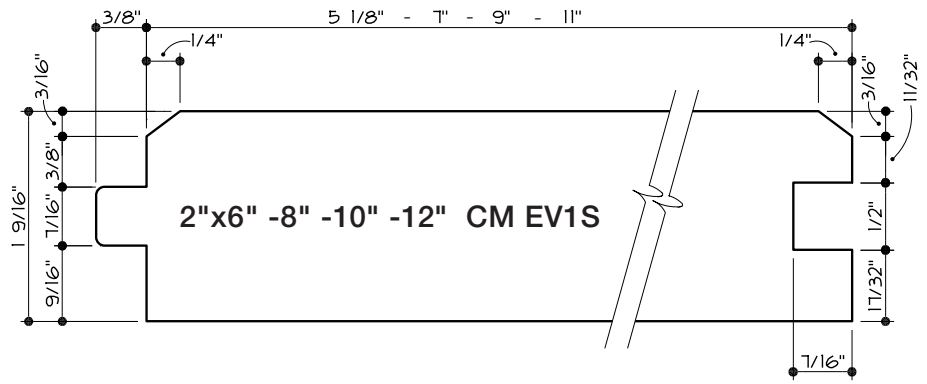
## Beaded Shelving



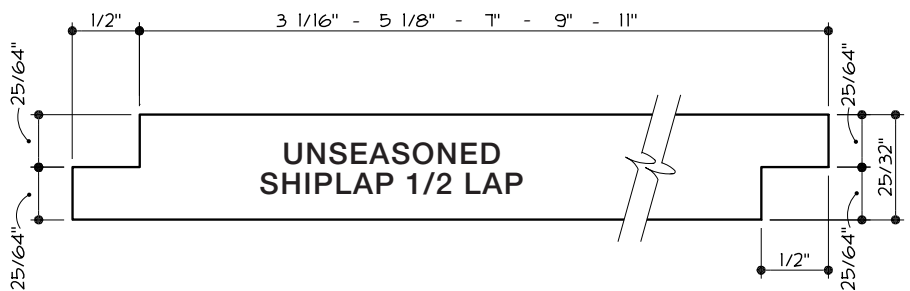
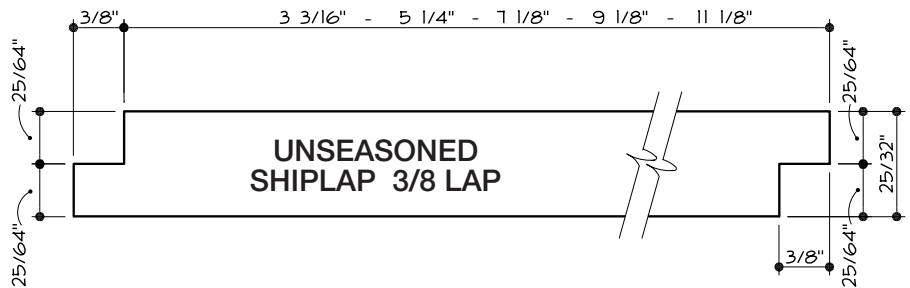
# Unseasoned Tongued & Grooved



# Unseasoned Tongued & Grooved

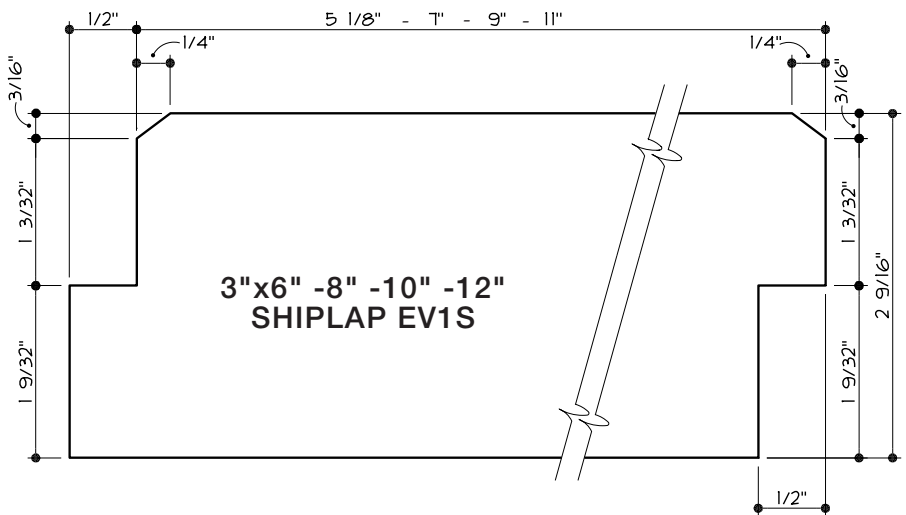
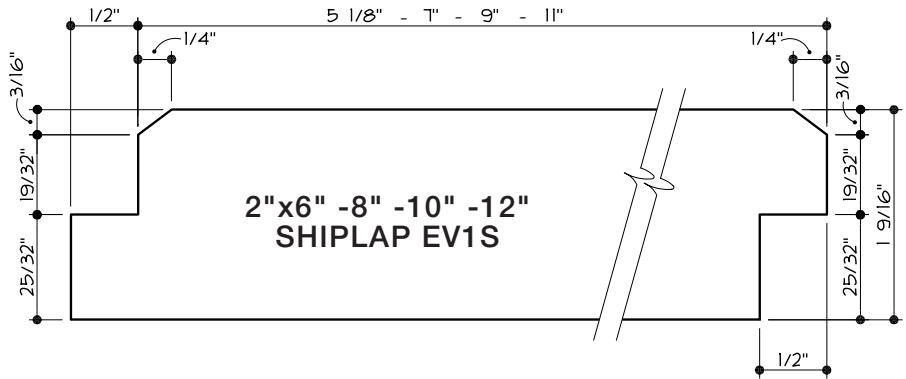
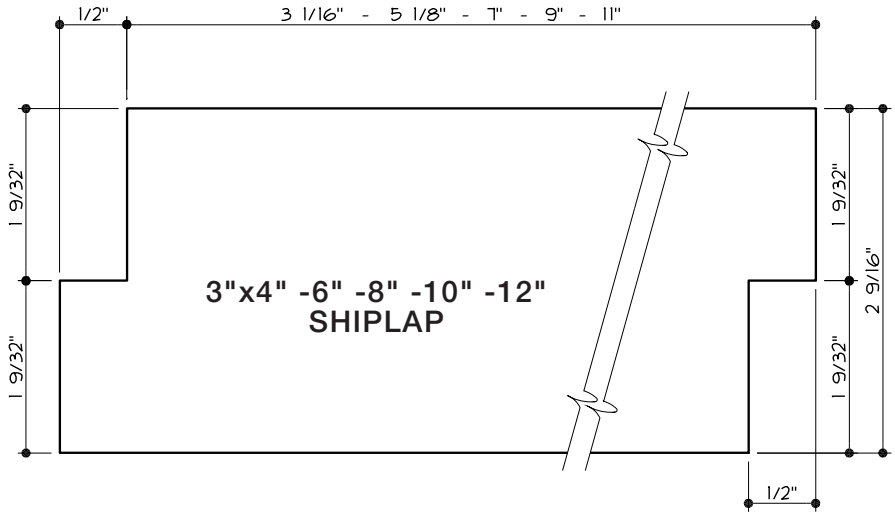
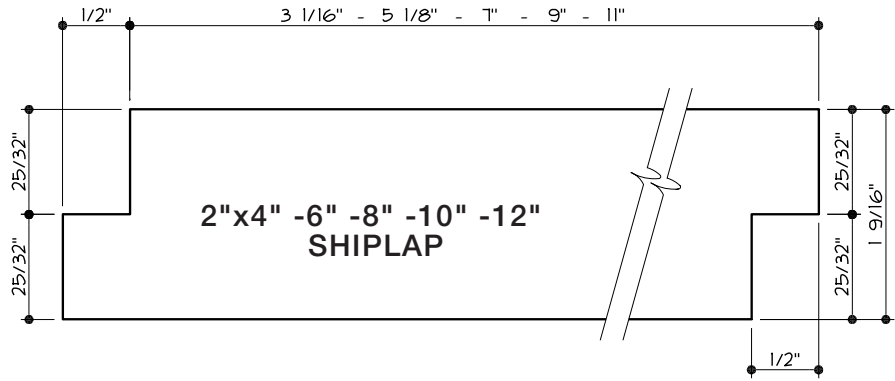


# Unseasoned Shiplap





# Unseasoned Shiplap



## Coverage Calculations

Siding and paneling are usually sold either by the lineal (*running*) foot or by the board foot.

To simplify cost and coverage estimations, select the appropriate factor from the table at right according to how the material is priced. The factors provided in the table can be used to calculate the amount of siding required either in lineal feet or in board feet.

In either case, the square footage of the area to be covered is calculated first, then multiplied by the appropriate factor.

### Procedure:

- A) Calculate the square footage in walls:  
length x width = sq. ft.
- B) Calculate, and then subtract, the square footage of openings. Now add 10% for trim and waste.
- C) Multiply the result by either the factor for lineal feet **or** the factor for board feet.
- D) Multiply the total footage required by price.

### Additional Information

Additional information and titles referenced in this publication are available for purchase from WWPA online at [www.wwpa.org](http://www.wwpa.org).

For a full description of technical publications available and a printable order form, go to the WWPA Internet site.

## COVERAGE ESTIMATOR

Pattern	Nominal Width	Width		Factor for Lineal Feet <sup>1</sup>	Factor for Board Feet <sup>2</sup>
		Dressed	Exposed Face		
Bevel & Bungalow	4	3½	2½	4.8	1.60
	6	5½	4½	2.67	1.33
	8	7¼	6¼	1.92	1.28
	10	9¼	8¼	1.45	1.21
Dolly Varden	4	3½	3	4.0	1.33
	6	5½	5	2.4	1.2
	8	7¼	6¾	1.78	1.19
	10	9¼	8¾	1.37	1.14
	12	11¼	10¾	1.12	1.12
Drop, T&G and Channel Rustic	4	3¾	3¾	3.84	1.28
	6	5¾	5½	2.34	1.17
	8	7½	6¾	1.75	1.16
	10	9½	8¾	1.35	1.13
Log Cabin	6	5⅞	4⅞	2.43	2.43
	8	7⅞	6⅞	1.81	2.42
	10	9⅞	8⅞	1.39	2.32
Boards	2	1½	The exposed face width will vary depending on size selected and on how the boards-and-battens or boards-on-boards are applied. Minimum overlap is ½". Determine the exposed face, then refer to footnotes to calculate factor.		
	4	3½			
	6	5½			
	8	7¼			
	10	9¼			

<sup>1</sup> Lineal Foot Factor is derived by dividing 12" by the exposed face width.

<sup>2</sup> Board Foot Factor is derived by dividing the nominal width by the exposed face width and is based on nominal 1" stock, except log cabin. Log cabin is based on 2" thickness. For nominal 1½" log cabin, multiply by .75.

Note: Factors do not include any allowance for trim or waste and do not apply to diagonal installations. A 10% allowance (for trim and waste) should be added to the square footage required before the factors are used. Refer to *Procedure* at left.

## Checklist for a Siding Material Specification

- Select species suited to the project.
- List grade names, paragraph numbers and rules-writing agency. (Refer to Grade Selector chart on back cover).
- Specify surface texture for exposed face.
- Specify moisture content suited to the project.
- If gradestamped, specify lumber to be stamped on back or ends. (WWPA's **Specifying Lumber** [A-2] offers additional information.)
- Specify VG (vertical grain) if appropriate and available.
- Specify pattern and size (WWPA's **Natural Wood Siding** [TG-8] and **Paneling Basics** [A-3] offer additional information.)

# Western Lumber Grades

GRADE SELECTOR CHART-ALL SPECIES							
General Categories <i>(Note that there are additional grades for bevel pattern.)</i>		GRADES			Grade Rule Paragraph Reference & Specifying		
		WESTERN SPECIES		CEDAR Western & Canadian	WWPA <sup>2</sup>	WCLIB <sup>3</sup>	NLGA <sup>4</sup>
		Selects <sup>1</sup>	Finish				
All Patterns	Premium Grades	B&Better (IWP Supreme)	Superior Prime	<b>Clear Heart<sup>5</sup></b>	20.11	102-b	200a
		<b>C Select<sup>5</sup></b> (IWP Choice)		<b>A Grade<sup>5</sup></b>	10.11	-	-
		<b>D Select<sup>5</sup></b> (IWP Quality)		B Grade	20.12	102-c	200b
Additional Grades for Bevel Patterns	Premium		Superior Bevel	<b>Clear VG Heart<sup>5</sup></b>	21.11	106-aa	201a
				<b>A Bevel<sup>5</sup></b>	21.12	106-a	201b
	Knotty		Prime Bevel	B Bevel	16.11	-	-
				Rustic	21.13	106-b	201c
All Patterns	Knotty Grades	Commons <sup>1</sup>	Alternate Boards	Cedar	21.14	106-c	201e
					1 Common (IWP Colonial)	Select Merch. Construction	16.12
	2 Common (IWP Sterling)	Standard	Utility Economy	Select Knotty <sup>6</sup> Quality Knotty <sup>6</sup>	-		-
	3 Common (IWP Standard)				30.11	-	-
	4 Common (IWP Utility)	5 Common (IWP Economy)			30.12	118-a	114a
	5 Common (IWP Economy)				118-b	118-b	114b
					-	111-e	204a
					-	111-f	204b
					30.13	-	-
					118-c	118-c	114c
					30.14	118-d	114d
					30.15	118-e	114e

**1** Equivalent grades, under the same paragraph numbers in WWPA Rules, are available in Idaho White Pine. Refer to *Western Lumber Grading Rules*.  
**2** Western Wood Products Association's *Western Lumber Grading Rules*.  
**3** West Coast Lumber Inspection Bureau's *West Coast Lumber Standard Grading Rules*.  
**4** National Lumber Grades Authority's *Standard Grading Rules for Canadian Lumber*.  
**5** Some clear grades may be specified VG (vertical grain). Common practice is to ship orders as a combination of vertical and flat grain, unless specified otherwise.  
**6** The widely used marketing term, "STK" usually describes a combination of Select Knotty and Quality Knotty, sometimes marketed with approximately 15% of the order in Quality Knotty.  
**The grade names in bold face type are the most widely available grades.** These are often specified as a grade combination that includes some portion of material in the next higher grade; i.e. C&Btr Select, D&Btr Select, A&Btr Cedar, 2&Btr Common, 3&Btr Common or Std&Btr (Standard & Better).



## WESTERN WOOD PRODUCTS ASSOCIATION

522 SW Fifth Avenue, Suite 500  
 Portland, OR 97204-2122  
 tel: 503-224-3930 e-mail: info@wwpa.org  
 fax: 503-224-3934 web site: www.wwpa.org

