

# ABOUT TIMBERLINX™

Timberlinx™ is a steel connection tube, inserted equally into both members of the joint and linked by two expanding cross pins.

Simple, Concealed, Adjustable

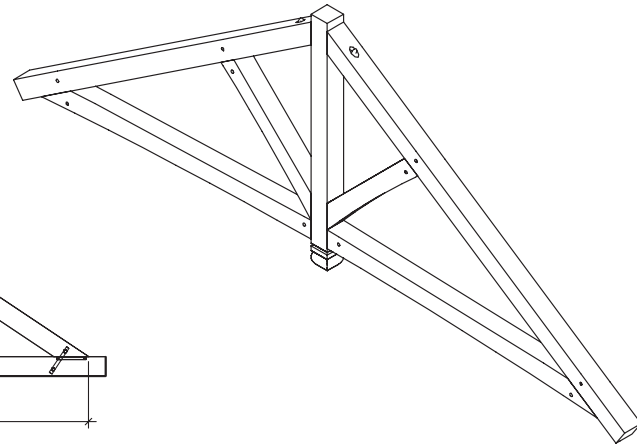
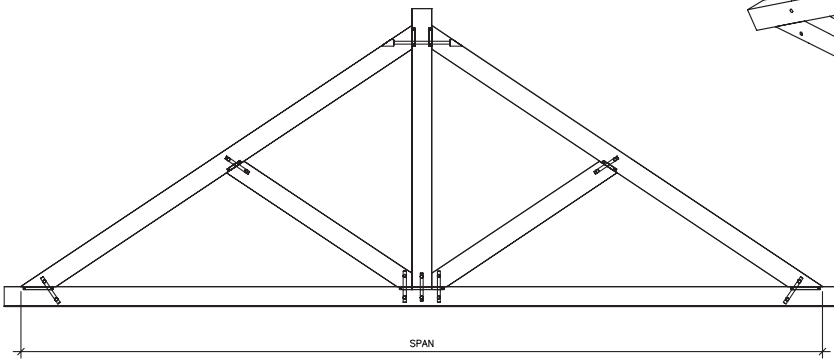
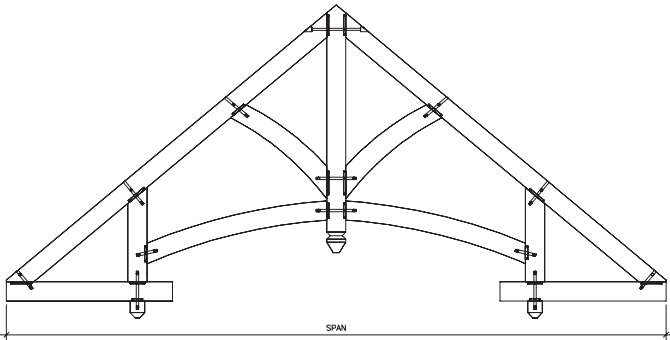
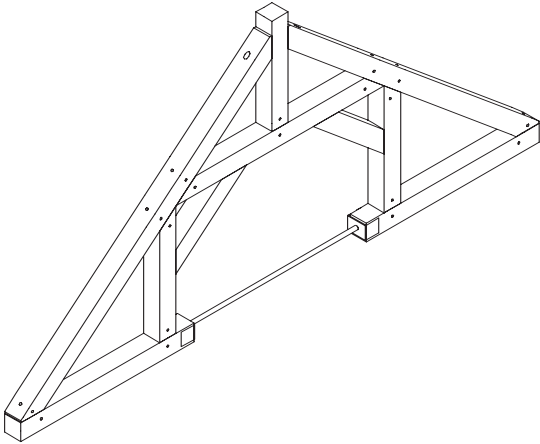
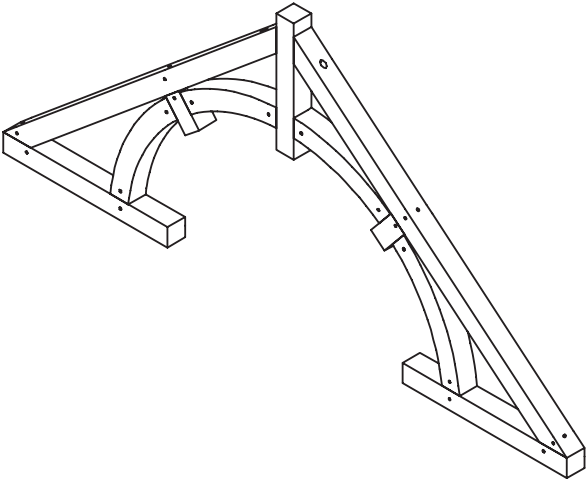
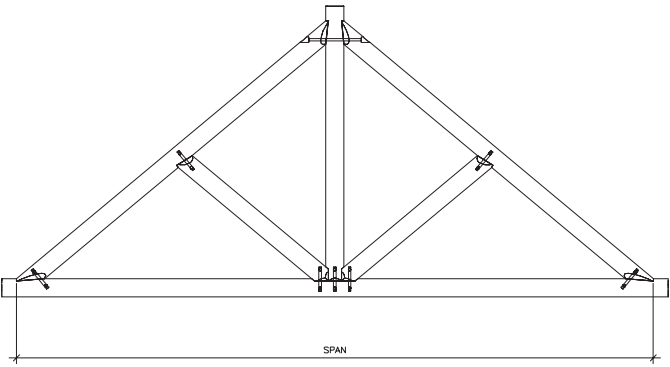
- \* Completely embedded
- \* Readily tightened at installation or later
- \* Appears similar to mortise and tenon joint when plugged
- \* Stronger than mortise and tenon
- \* Fastest, most cost-effective timber joining system in the industry...PERIOD!

Patented & Certified

- \* Certified by CCMC to new international standards
- \* Certified for both shear and tension values

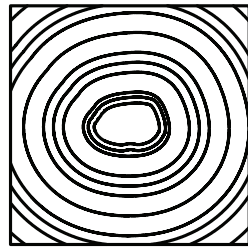


## TIMBER & LOG TRUSS CATALOG

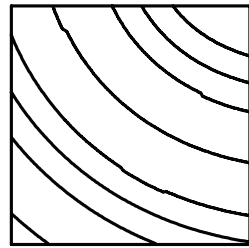


## West Coast Douglas Fir

Trusses and Timber are available in West Coast Douglas Fir, Box Heart or Free of Heart Center (FOHC).



West Coast Douglas Fir - Box Heart (Round Truss Only)



West Coast Douglas Fir - FOHC (Free of Heart Center)

## How Our Pricing Works

Our component pricing and invoicing is structured in such a way as to allow our customers to clearly see the breakdown between the cost of the wood and the truss manufacturing cost.

The wood cost is determined by multiplying the total board footage of wood in the truss, times the current market cost of the wood, plus a fixed wood planing and handling charge. Contact us for current market costs of wood.

The truss manufacturing cost is shown under each truss diagram.

The customer can estimate pricing by following the formula shown in the following example:

### 8" Round Log King Post Truss:

Component base price = \$1,376.00

Board footage for 22' at a 10:12 pitch would be 448 BFT (see table).

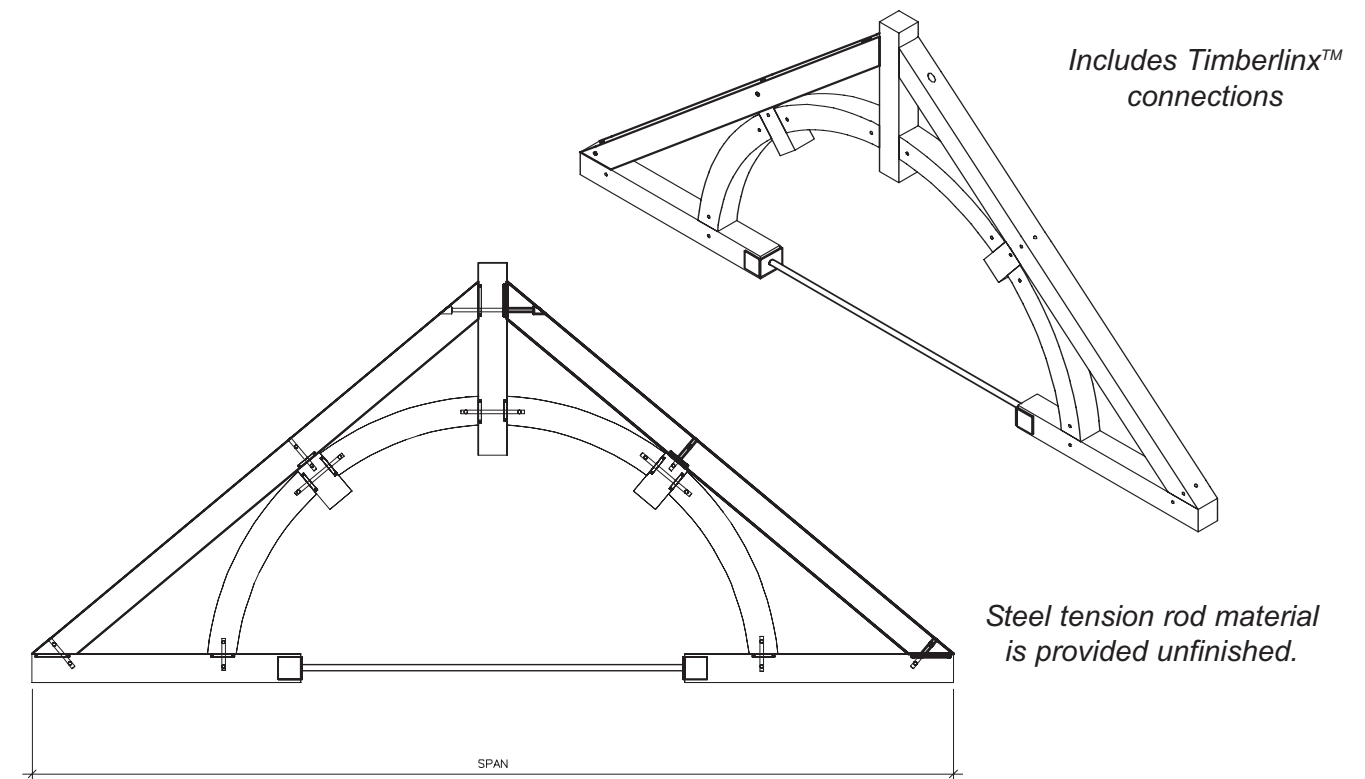
Planing & Handling charge is 448 x \$0.72 = \$322.56

Board Footage Price at current market price of the wood (\$3BF) x 448 BFT = \$1,344.00

Your total cost would be \$1,376 + \$322.56 + \$1,344.00 = \$3,042.56

Truss Price	Board Footage	Planing & Handling	Wood Product Price	Total Cost
8" Round King Post	22' at 10:12 Pitch	\$0.72 x 448 BFT	Market Value (\$3) x 448	Truss + Planing + Wood
\$1,376.00	448'	\$322.56	\$1,344.00	\$3,042.56

## Barrel Truss with Rod



8" \*

\$2,733.06 truss price \*\*

Board Footage				
Span	Pitch			
	6:12	8:12	10:12	12:12
12'				
16'				
18'			571	576
20'			592	736
22'			683	715
24'			704	736
26'			736	736
28'			736	758
30'			758	779

Allowable Uniform Load (plf)				
Span	Pitch			
	6:12	8:12	10:12	12:12
16'				
18'			943	1045
20'			845	938
22'			765	850
24'			698	779
26'			642	718
28'			594	666
30'			552	621

10" \*

\$3,380 truss price \*\*

Board Footage				
Span	Pitch			
	6:12	8:12	10:12	12:12
12'				
16'				
18'			807	846
20'			840	967
22'			954	1000
24'			987	1034
26'			1034	1034
28'			1034	1067
30'			1100	1152

Allowable Uniform Load (plf)				
Span	Pitch			
	6:12	8:12	10:12	12:12
16'				
18'			1031	1145
20'			925	1031
22'			838	937
24'			765	859
26'			703	793
28'			651	736
30'			605	687

12" \*

\$5,232.81 truss price \*\*

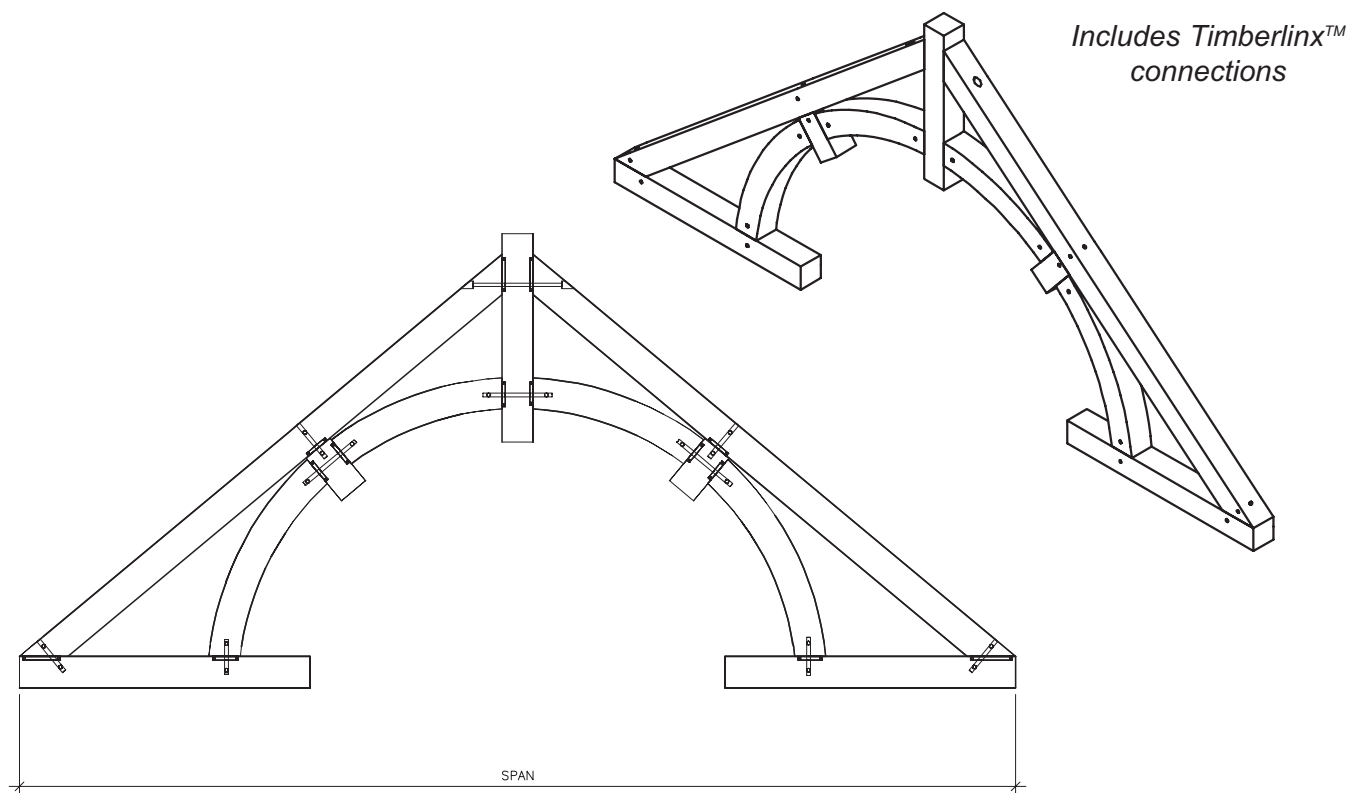
Board Footage				
Span	Pitch			
	6:12	8:12	10:12	12:12
12'				
16'				
18'			1200	1200
20'			1360	1408
22'			1408	1408
24'			1456	1456
26'			1504	1456
28'			1456	1504
30'			1504	1552

Allowable Uniform Load (plf)				
Span	Pitch			
	6:12	8:12	10:12	12:12
16'				
18'			1116	1238
20'			1001	1114
22'			907	1013
24'			828	929
26'			762	857
28'			705	796
30'			656	743

\*Wood is available in rough sawn or smooth surface. For smooth surface, actual timber is 1" smaller than shown. PLF applies to both smooth and rough sawn sizes.

\*\*Price does not include: wood, planing and handling fee or shipping. See inside cover for pricing information.

## Barrel Truss



8" \*

\$2,233 truss price\*\*

Board Footage				
Span	Pitch			
	6:12	8:12	10:12	12:12
12'				
16'				
18'			571	576
20'			592	736
22'			683	715
24'			704	736
26'			736	736
28'			736	758
30'			758	779

Allowable Uniform Load (plf)				
Span	Pitch			
	6:12	8:12	10:12	12:12
16'				
18'			259	287
20'			231	256
22'			208	231
24'			190	211
26'			174	194
28'			161	179
30'			150	167

10" \*

\$2,880 truss price\*\*

Board Footage				
Span	Pitch			
	6:12	8:12	10:12	12:12
12'				
16'				
18'			807	846
20'			840	967
22'			954	1000
24'			987	1034
26'			1034	1034
28'			1034	1067
30'			1100	1152

Allowable Uniform Load (plf)				
Span	Pitch			
	6:12	8:12	10:12	12:12
16'				
18'			348	385
20'			311	344
22'			280	310
24'			256	284
26'			236	261
28'			218	242
30'			203	225

12" \*

\$4,733 truss price\*\*

Board Footage				
Span	Pitch			
	6:12	8:12	10:12	12:12
12'				
16'				
18'			1200	1200
20'			1360	1408
22'			1408	1408
24'			1456	1456
26'			1504	1456
28'			1456	1504
30'			1504	1552

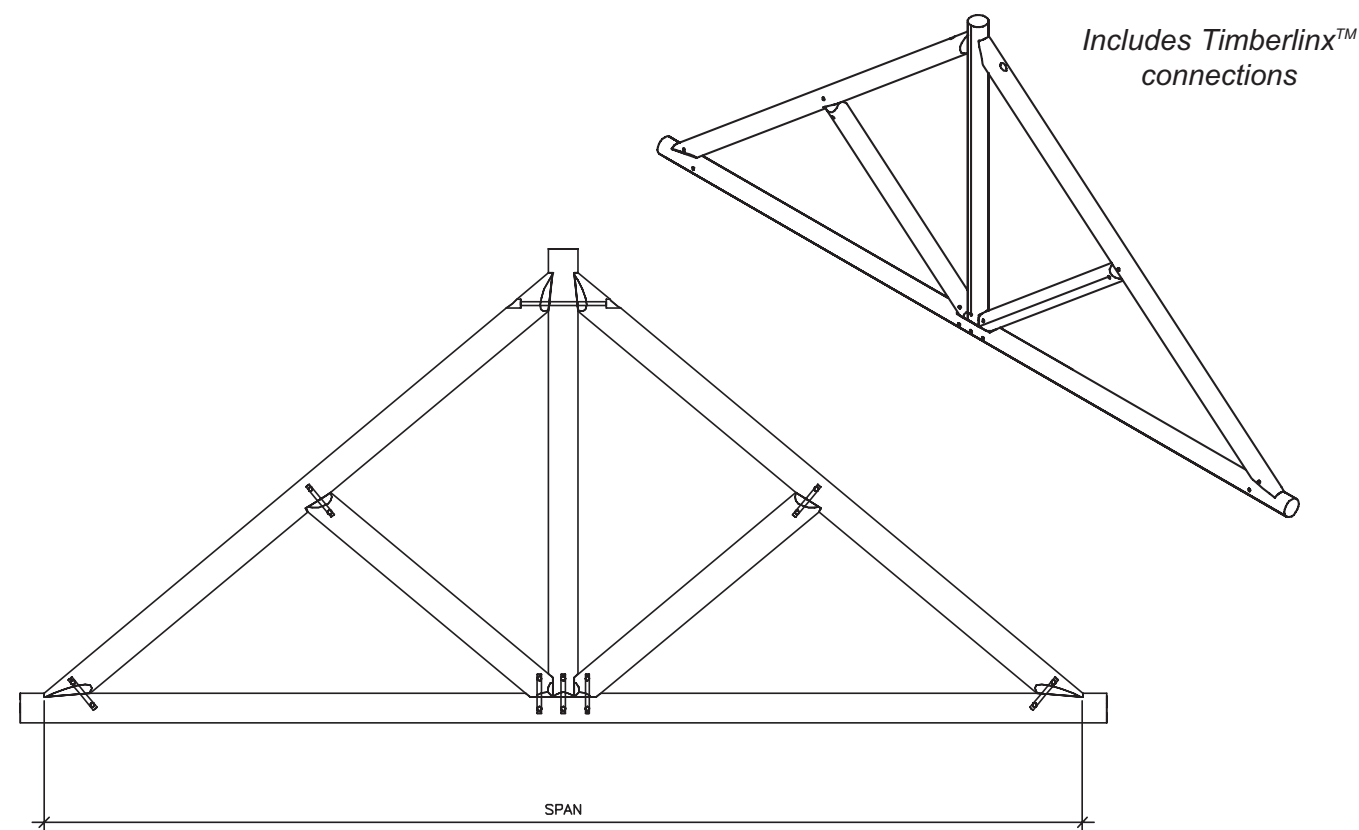
Allowable Uniform Load (plf)				
Span	Pitch			
	6:12	8:12	10:12	12:12
16'				
18'			432	478
20'			387	428
22'			349	386
24'			320	354
26'			294	326
28'			272	302
30'			254	281

\*Wood is available in rough sawn or smooth surface. For smooth surface, actual timber is 1" smaller than shown.

PLF applies to both smooth and rough sawn sizes.

\*\*Price does not include: wood, planing and handling fee or shipping. See inside cover for pricing information.

## Round Log King Post Truss



8" \*

\$1,376 truss price\*\*

Board Footage				
Span	Pitch			
	6:12	8:12	10:12	12:12
12'	235	235	256	278
16'	299	342	363	374
18'	363	384	395	416
20'	384	384	406	427
22'	416	427	448	459
24'	438	470	480	512
26'	459	470	502	566
28'	470	512	544	576
30'	502	544	576	630

Allowable Uniform Load (plf)				
Span	Pitch			
	6:12	8:12	10:12	12:12
16'	685	925	1164	1401
18'	609	823	1034	1246
22'	495	671	844	1017
24'	450	612	772	931
26'	411	562	710	857
28'	377	518	656	793
30'	352	483	612	740

10" \*

\$1,561 truss price\*\*

Board Footage				
Span	Pitch			
	6:12	8:12	10:12	12:12
12'	367	367	400	434
16'	467	534	567	584
18'	550	584	600	634
20'	584	600	650	667
22'	650	667	667	717
24'	683	734	750	817
26'	750	767	817	884
28'	734	784	834	900
30'	784	850	900	967

Allowable Uniform Load (plf)				
Span	Pitch			
	6:12	8:12	10:12	12:12
16'	790	1072	1350	1628
18'	702	953	1200	1447
22'	569	776	979	1181
24'	516	706	894	1080
26'	469	647	821	994
28'	428	595	758	919
30'	400	556	707	858

12" \*

\$2,489 truss price\*\*

Board Footage				
Span	Pitch			
	6:12	8:12	10:12	12:12
12'	528	528	576	576
16'	672	672	768	840
18'	792	840	864	912
20'	864	864	936	960
22'	888	960	960	1032
24'	984	1056	1080	1152
26'	1032	1056	1128	1224
28'	1056	1152	1224	1296
30'	1128	1224	1296	1368

Allowable Uniform Load (plf)				
Span	Pitch			
	6:12	8:12	10:12	12:12
16'	757	1036	1310	1853
18'	673	921	1165	1647
22'	543	748	949	1344
24'	489	679	864	1228
26'	442	620	792	1129
28'	459	612	765	1042
30'	373	529	680	973

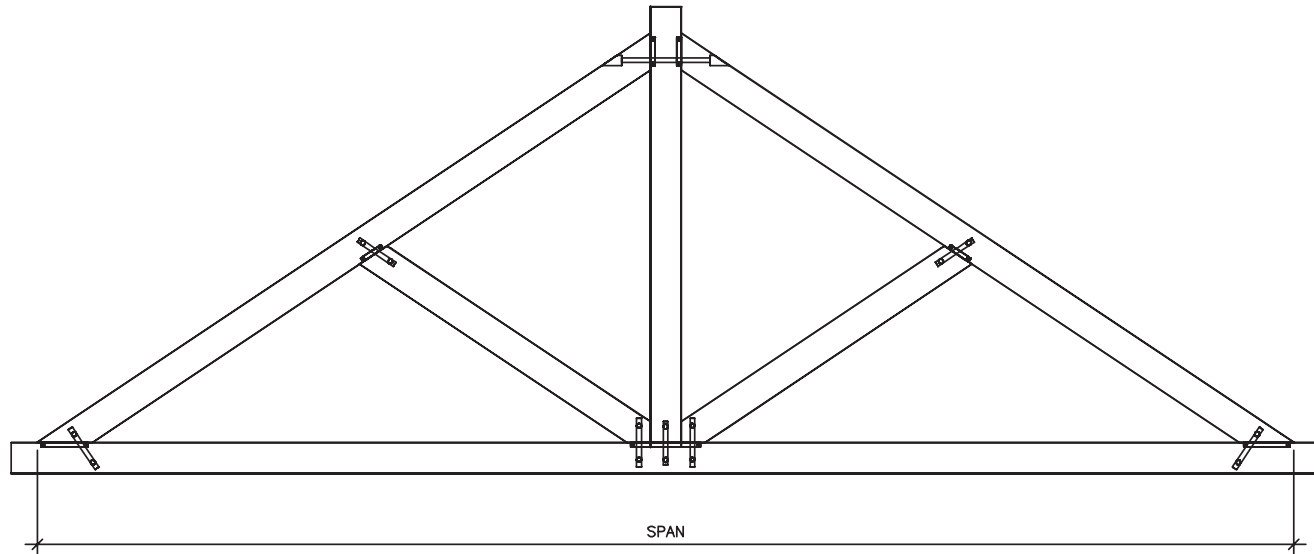
\*Sizes shown are nominal - actual size is 1" under call-out.

\*\*Price does not include: wood, planing and handling fee or shipping. See inside cover for pricing information.

# TRUSSES

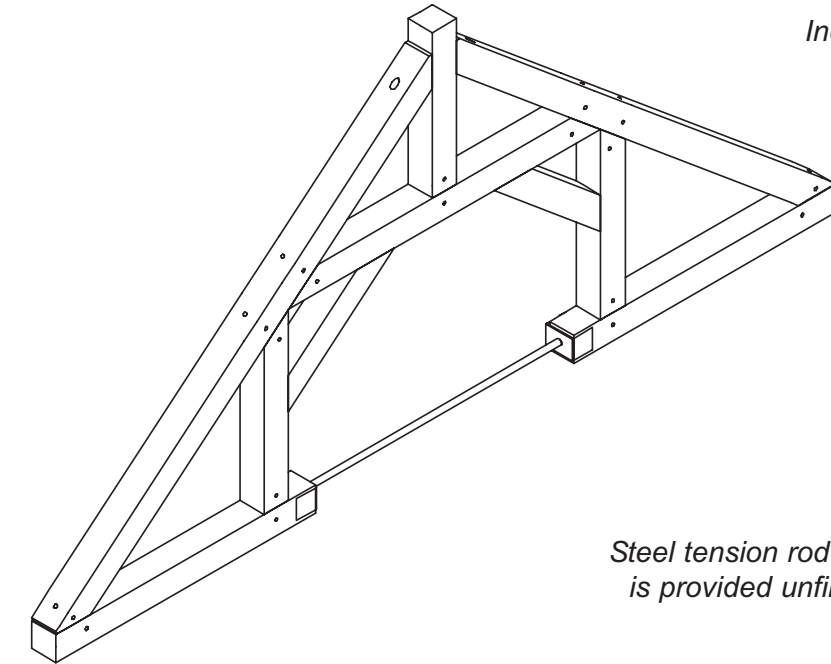
## Square King Post Truss 7", 9", 11"

Includes Timberlinx™ connections



## Hammer Beam 8", 10", 12"

Includes Timberlinx™ connections



Steel tension rod material is provided unfinished.

7" \*

\$1,376 truss price\*\*

Board Footage				
Span	Pitch			
	6:12	8:12	10:12	12:12
12'	235	235	256	278
16'	299	342	363	374
18'	363	384	395	416
20'	384	384	416	459
22'	416	427	448	459
24'	438	470	480	512
26'	459	470	502	566
28'	470	502	534	576
30'	502	544	576	630

Allowable Uniform Load (plf)				
Span	Pitch			
	6:12	8:12	10:12	12:12
16'	628	822	1035	1244
18'	558	731	920	1106
22'	457	595	750	903
24'	419	543	686	825
26'	386	498	630	759
28'	359	459	582	702
30'	335	428	544	655

9" \*

\$1,561 truss price\*\*

Board Footage				
Span	Pitch			
	6:12	8:12	10:12	12:12
12'	367	367	400	434
16'	467	534	567	584
18'	550	584	600	634
20'	600	600	650	667
22'	650	667	667	717
24'	683	734	750	817
26'	750	767	817	884
28'	734	800	834	900
30'	784	850	900	967

Allowable Uniform Load (plf)				
Span	Pitch			
	6:12	8:12	10:12	12:12
16'	790	1072	1350	1628
18'	702	953	1200	1447
22'	569	776	979	1181
24'	516	706	894	1080
26'	469	647	821	994
28'	428	595	758	919
30'	400	556	707	858

11" \*

\$2,396 truss price\*\*

Board Footage				
Span	Pitch			
	6:12	8:12	10:12	12:12
12'	528	528	576	576
16'	672	672	768	840
18'	792	840	864	912
20'	864	864	936	960
22'	888	960	960	1032
24'	984	1056	1080	1152
26'	1032	1056	1128	1224
28'	1056	1128	1224	1296
30'	1128	1224	1296	1368

Allowable Uniform Load (plf)				
Span	Pitch			
	6:12	8:12	10:12	12:12
16'	969	1319	1665	2008
18'	862	1173	1480	1785
22'	697	954	1206	1457
24'	631	868	1100	1331
26'	573	794	1010	1224
28'	521	729	931	1131
30'	486	681	869	1056

8" \*

\$3,510.76 truss price\*\*

Board Footage				
Span	Pitch			
	6:12	8:12	10:12	12:12
12'				
16'		342	363	363
18'	352	374	394	416
20'	384	406	427	427
22'	384	406	512	534
24'	406	448	534	555
26'	438	502	566	565
28'	470	533	576	608
30'	555	598	617	640

Allowable Uniform Load (plf)				
Span	Pitch			
	6:12	8:12	10:12	12:12
16'		1203	1504	1777
18'	802	1069	1337	1576
22'	655	875	1094	1258
24'	600	801	1002	1178
26'	554	740	925	1086
28'	514	686	859	1032
30'	479	640	801	963

10" \*

\$4,510.66 truss price\*\*

Board Footage				
Span	Pitch			
	6:12	8:12	10:12	12:12
12'				
16'		534	567	567
18'	550	584	584	650
20'	600	634	700	667
22'	617	634	750	767
24'	634	684	834	867
26'	684	784	884	883
28'	767	834	900	950
30'	867	934	967	1000

Allowable Uniform Load (plf)				
Span	Pitch			
	6:12	8:12	10:12	12:12
16'		1504	1880	2176
18'	1001	1336	1671	1926
22'	817	1092	1366	1563
24'	748	1001	1252	1431
26'	690	923	1155	1319
28'	642	858	1073	1252
30'	595	798	1000	1167

12" \*

\$5,874.40 truss price\*\*

Board Footage				
Span	Pitch			
	6:12	8:12	10:12	12:12
12'				
16'		768	768	816
18'	792	816	816	912
20'	864	912	960	960
22'	864	912	1032	1176
24'	912	912	1200	1248
26'	984	1128	1272	1272
28'	1056	1200	1296	1368
30'	1248	1344	1392	1440

Allowable Uniform Load (plf)				
Span	Pitch			
	6:12	8:12	10:12	12:12
16'		1804	2256	2601
18'	1201	1603	2005	2300
22'	981	1311	1639	1865
24'	898	1201	1502	1708
26'	828	1108	1366	1573
28'	771	1030	1288	1548
30'	714	958	1200	1392

\*Smooth Surface, shown at actual size.

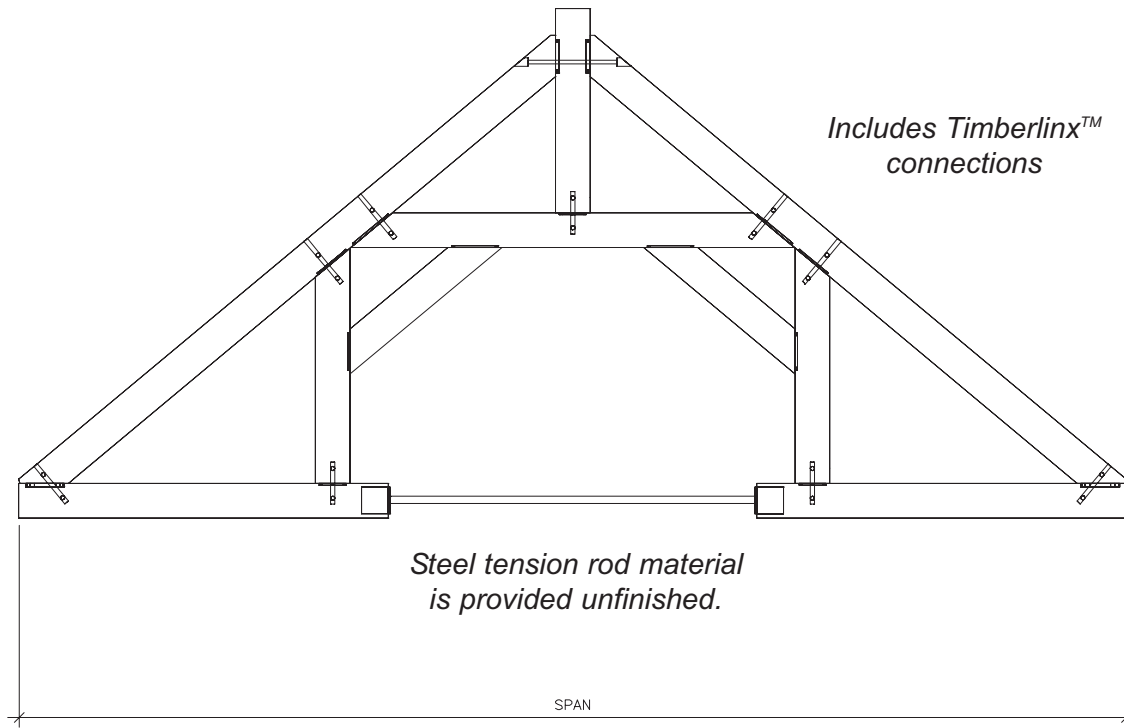
\*\*Price does not include: wood, planing and handling fee or shipping. See inside cover for pricing information.

\*Rough Sawn Surface, shown at actual size.

\*\*Price does not include: wood, planing and handling fee or shipping. See inside cover for pricing information.

# TRUSSES

## Hammer Beam 7", 9", 11"



7" \*

\$3,510.76 truss price\*\*

Board Footage				
Span	Pitch			
	6:12	8:12	10:12	12:12
12'				
16'		342	363	363
18'	352	374	394	416
20'	384	406	427	427
22'	384	406	512	534
24'	406	448	534	555
26'	438	502	566	565
28'	470	533	576	608
30'	555	598	617	640

Allowable Uniform Load (plf)				
Span	Pitch			
	6:12	8:12	10:12	12:12
16'		1088	1361	1605
18'	725	967	1209	1423
22'	593	791	989	1160
24'	543	725	907	1063
26'	500	669	837	980
28'	464	621	777	933
30'	433	579	725	871

9" \*

\$4,510.66 truss price\*\*

Board Footage				
Span	Pitch			
	6:12	8:12	10:12	12:12
12'				
16'		534	567	567
18'	550	584	584	650
20'	600	634	700	667
22'	617	634	750	767
24'	634	684	834	867
26'	684	784	884	883
28'	767	834	900	950
30'	867	934	967	1000

Allowable Uniform Load (plf)				
Span	Pitch			
	6:12	8:12	10:12	12:12
16'		1360	1700	1961
18'	905	1208	1511	1734
22'	739	988	1236	1407
24'	676	905	1132	1288
26'	623	834	1045	1186
28'	590	776	971	1129
30'	537	722	904	1052

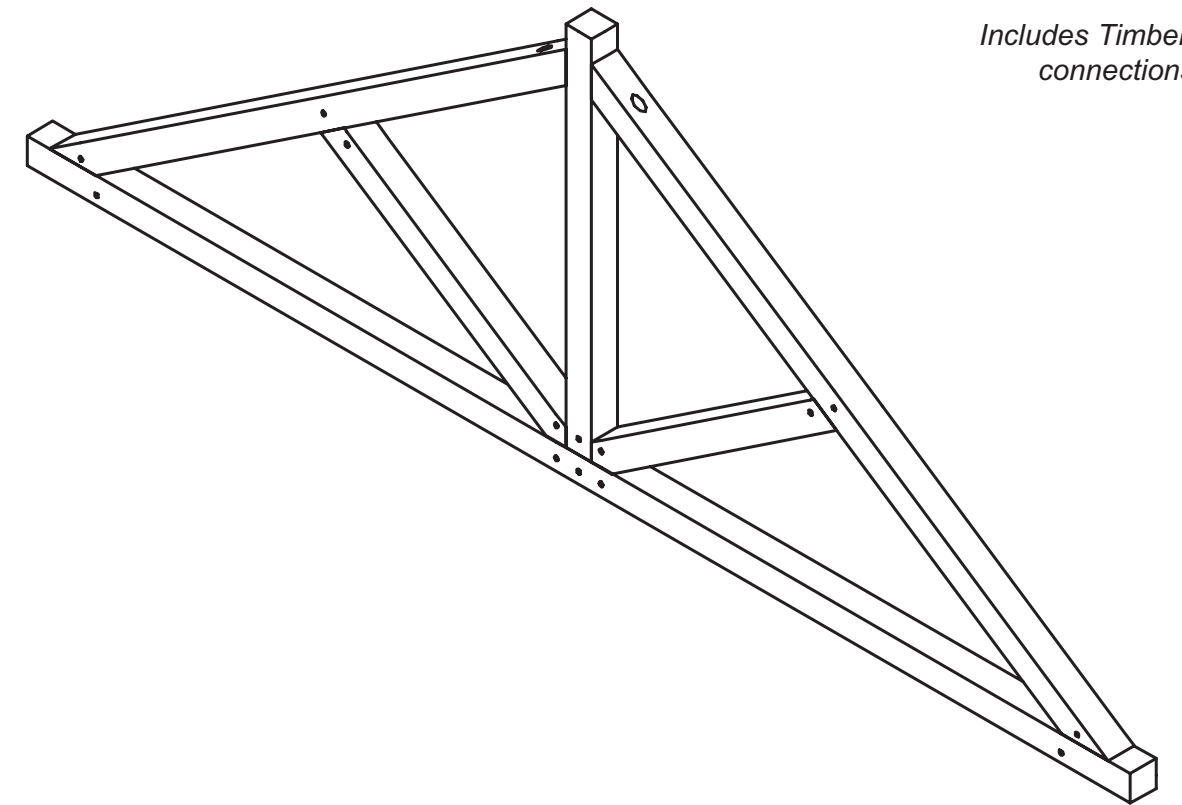
11" \*

\$5,874.40 truss price\*\*

Board Footage				
Span	Pitch			
	6:12	8:12	10:12	12:12
12'				
16'		768	768	816
18'	792	816	816	912
20'	864	912	960	960
22'	864	912	1032	1176
24'	912	912	1200	1248
26'	984	1128	1272	1272
28'	1056	1200	1296	1368
30'	1248	1344	1392	1440

Allowable Uniform Load (plf)				
Span	Pitch			
	6:12	8:12	10:12	12:12
16'		1632	2040	2342
18'	1086	1450	1813	2070
22'	886	1185	1483	1678
24'	811	1086	1359	1536
26'	747	1001	1253	1414
28'	696	931	1165	1400
30'	645	866	1085	1254

## Square King Post Truss 8", 10", 12"



Includes Timberlinx™ connections

8" \*

\$1,376 truss price\*\*

Board Footage				
Span	Pitch			
	6:12	8:12	10:12	12:12
12'	235	235	256	278
16'	299	342	363	374
18'	363	384	395	416
20'	384	384	416	459
22'	416	427	448	459
24'	438	470	480	512
26'	459	470	502	566
28'	470	502	534	576
30'	502	544	576	630

Allowable Uniform Load (plf)				
Span	Pitch			
	6:12	8:12	10:12	12:12
16'	705	951	1196	1438
18'	626	846	1063	1278
22'	509	689	868	1044
24'	463	629	793	954
26'	423	577	730	879
28'	388	533	675	813
30'	362	497	630	759

10" \*

\$1,561 truss price\*\*

Board Footage				
Span	Pitch			
	6:12	8:12	10:12	12:12
12'	367	367	400	434
16'	467	534	567	584
18'	550	584	600	634
20'	600	600	650	667
22'	650	667	667	717
24'	683	734	750	817
26'	750	767	817	884
28'	734	800	834	900
30'	784	850	900	967

Allowable Uniform Load (plf)				
Span	Pitch			
	6:12	8:12	10:12	12:12
16'	887	1201	1521	1822
18'	788	1067	1344	1619
22'	640	869	1096	1322
24'	580	793	1001	1209
26'	529	727	920	1113
28'	484	669	850	1030
30'	452	624	793	961

12" \*

\$2,396 truss price\*\*

Board Footage				
Span	Pitch			
	6:12	8:12	10:12	12:12
12'	528	528	576	576
16'	672	672	768	840
18'	792	840	864	912
20'	864	864	936	960
22'	888	960	960	1032
24'	984	1056	1080	1152
26'	1032	1056	1128	1224
28'	1056	1128	1224	1296
30'	1128	1224	1296	1368

Allowable Uniform Load (plf)				
Span	Pitch			
	6:12	8:12	10:12	12:12
16'	1066	1448	1826	2202
18'	948	1288	1623	1957
22'	768	1048	1323	1598
24'	695	954	1208	1460
26'	632	873	1109	1343
28'	576	803	1024	1242
30'	538	749	955	1159

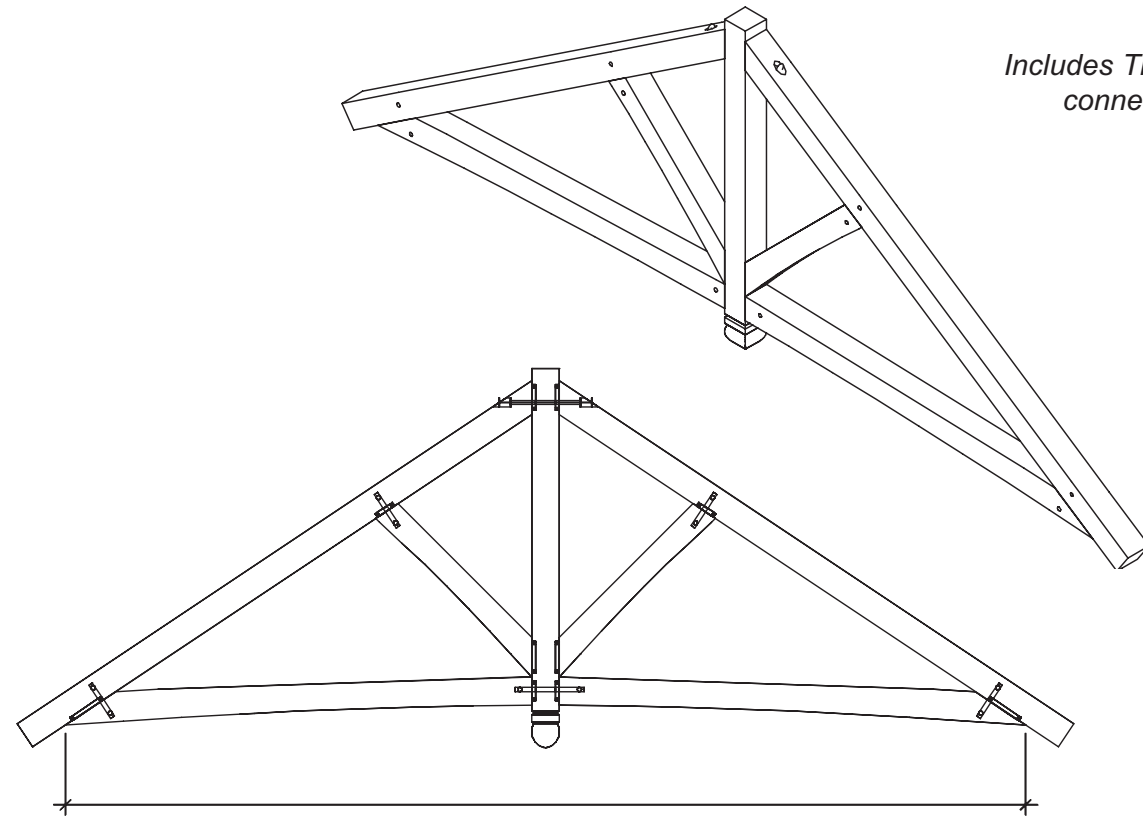
\*Smooth Surface, shown at actual size.

\*\*Price does not include: wood, planing and handling fee or shipping. See inside cover for pricing information.

\*Rough Sawn Surface, shown at actual size.

\*\*Price does not include: wood, planing and handling fee or shipping. See inside cover for pricing information.

## Square King with Arch Truss



Includes Timberlinx™ connections

8" \*

\$1,848 truss price\*\*

Board Footage				
Span	Pitch			
	6:12	8:12	10:12	12:12
12'	320	320	320	342
16'	374	374	395	416
18'	374	395	448	480
20'	427	428	470	502
22'	448	502	523	544
24'	480	555	534	565
26'	544	555	587	630
28'	576	619	619	651
30'	608	619	672	704

Allowable Uniform Load (plf)				
Span	Pitch			
	6:12	8:12	10:12	12:12
16'	371	496	621	717
18'	329	441	551	634
20'	295	396	496	568
22'	268	359	450	514
24'	244	329	412	471
26'	225	303	380	434
28'	207	281	353	402
30'	192	261	329	375

10" \*

\$2,728 truss price\*\*

Board Footage				
Span	Pitch			
	6:12	8:12	10:12	12:12
12'	487	487	487	520
16'	520	520	570	637
18'	567	600	684	734
20'	600	667	717	767
22'	680	764	814	830
24'	680	797	814	864
26'	827	844	910	960
28'	827	894	944	994
30'	924	940	990	1074

Allowable Uniform Load (plf)				
Span	Pitch			
	6:12	8:12	10:12	12:12
16'	465	621	776	903
18'	413	551	690	800
20'	371	496	620	718
22'	336	450	564	650
24'	307	412	516	595
26'	283	380	476	549
28'	262	352	442	509
30'	243	328	412	474

12" \*

\$3,683 truss price\*\*

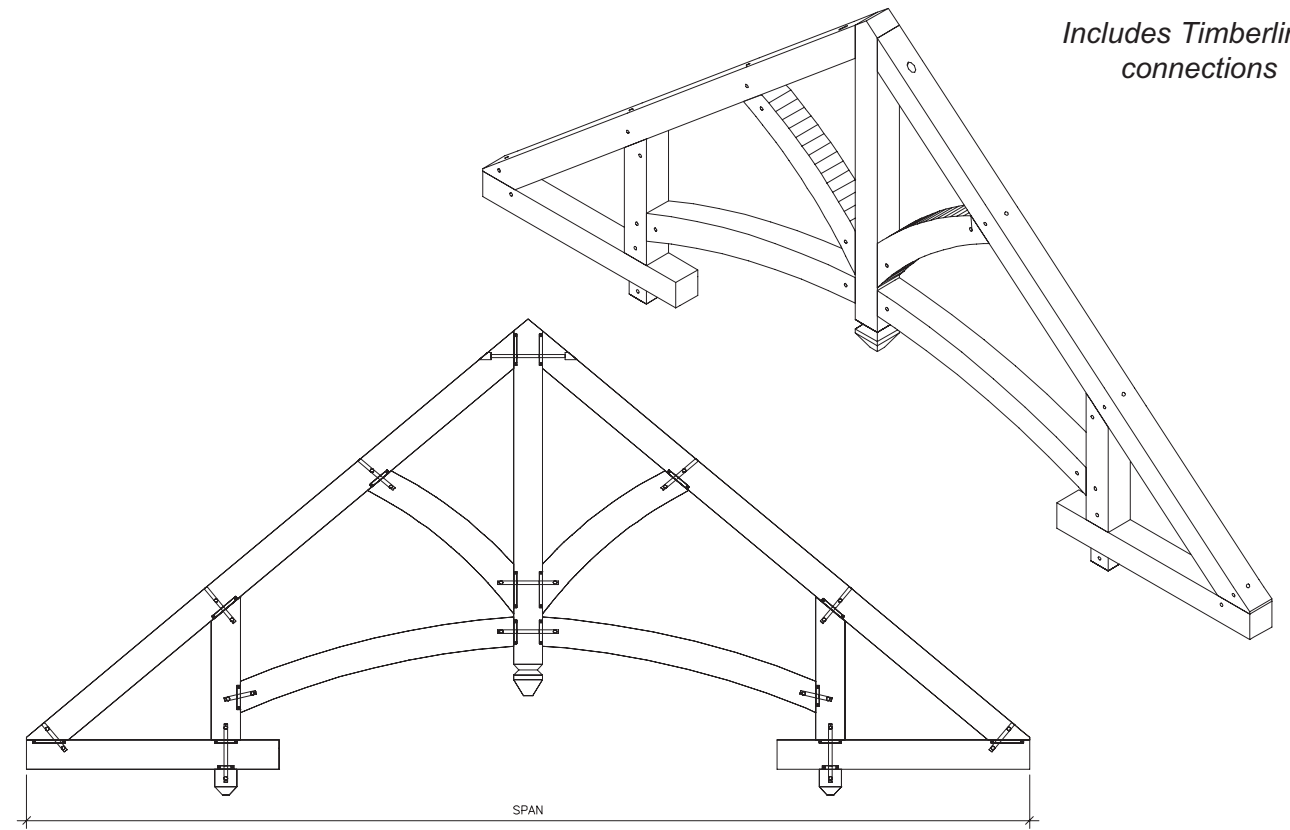
Board Footage				
Span	Pitch			
	6:12	8:12	10:12	12:12
12'	688	688	688	736
16'	736	736	808	904
18'	800	848	968	1040
20'	848	944	1016	1088
22'	960	1080	1152	1176
24'	960	1128	1152	1224
26'	1192	1192	1288	1360
28'	1192	1264	1336	1408
30'	1304	1328	1400	1520

Allowable Uniform Load (plf)				
Span	Pitch			
	6:12	8:12	10:12	12:12
16'	558	745	931	1090
18'	496	662	828	966
20'	446	595	745	867
22'	405	541	677	786
24'	370	495	620	720
26'	341	457	572	663
28'	316	424	531	615
30'	294	395	495	574

\*Wood is available in rough sawn or smooth surface. For smooth surface, actual timber is 1" smaller than shown. PLF applies to both smooth and rough sawn sizes.

\*\*Price does not include: wood, planing and handling fee or shipping. See inside cover for pricing information.

## Queen Post Truss



Includes Timberlinx™ connections

8" \*

\$4,733 truss price\*\*

Board Footage				
Span	Pitch			
	6:12	8:12	10:12	12:12
12'				
16'		416	480	491
18'		507	550	651
20'		550	651	651
22'		571	651	683
24'		592	672	704
26'		662	694	704
28'		718	739	771
30'		728	760	792

Allowable Uniform Load (plf)				
Span	Pitch			
	6:12	8:12	10:12	12:12
16'		557	703	850
18'		492	622	752
22'		398	504	611
24'		364	462	560
26'		335	425	516
28'		335	418	502
30'		289	367	445

10" \*

\$6,066 truss price\*\*

Board Footage				
Span	Pitch			
	6:12	8:12	10:12	12:12
12'				
16'		634	700	750
18'		767	734	884
20'		834	984	984
22'		867	984	1034
24'		867	1017	1067
26'		1000	1050	1067
28'		1084	1117	1167
30'		1100	1150	1200

Allowable Uniform Load (plf)				
Span	Pitch			
	6:12	8:12	10:12	12:12
16'		703	886	1069
18'		622	785	947
22'		505	638	771
24'		462	584	706
26'		425	538	651
28'		393	498	602
30'		367	464	562

12" \*

\$7,377 truss price\*\*

Board Footage				
Span	Pitch			
	6:12	8:12	10:12	12:12
12'				
16'		896	992	1064
18'		1080	1176	1248
20'		1176	1248	1384
22'		1224	1384	1456
24'		1224	1432	1504
26'		1272	1480	1504
28'		1524	1572	1644
30'		1548	1620	1692

Allowable Uniform Load (plf)				
Span	Pitch			
	6:12	8:12	10:12	12:12
16'		850	1069	1289
18'		752	947	1143
22'		611	771	931
24'		560	706	852
26'		516	651	786
28'		477	602	728
30'		445	562	679

\*Wood is available in rough sawn or smooth surface. For smooth surface, actual timber is 1" smaller than shown. PLF applies to both smooth and rough sawn sizes.

\*\*Price does not include: wood, planing and handling fee or shipping. See inside cover for pricing information.